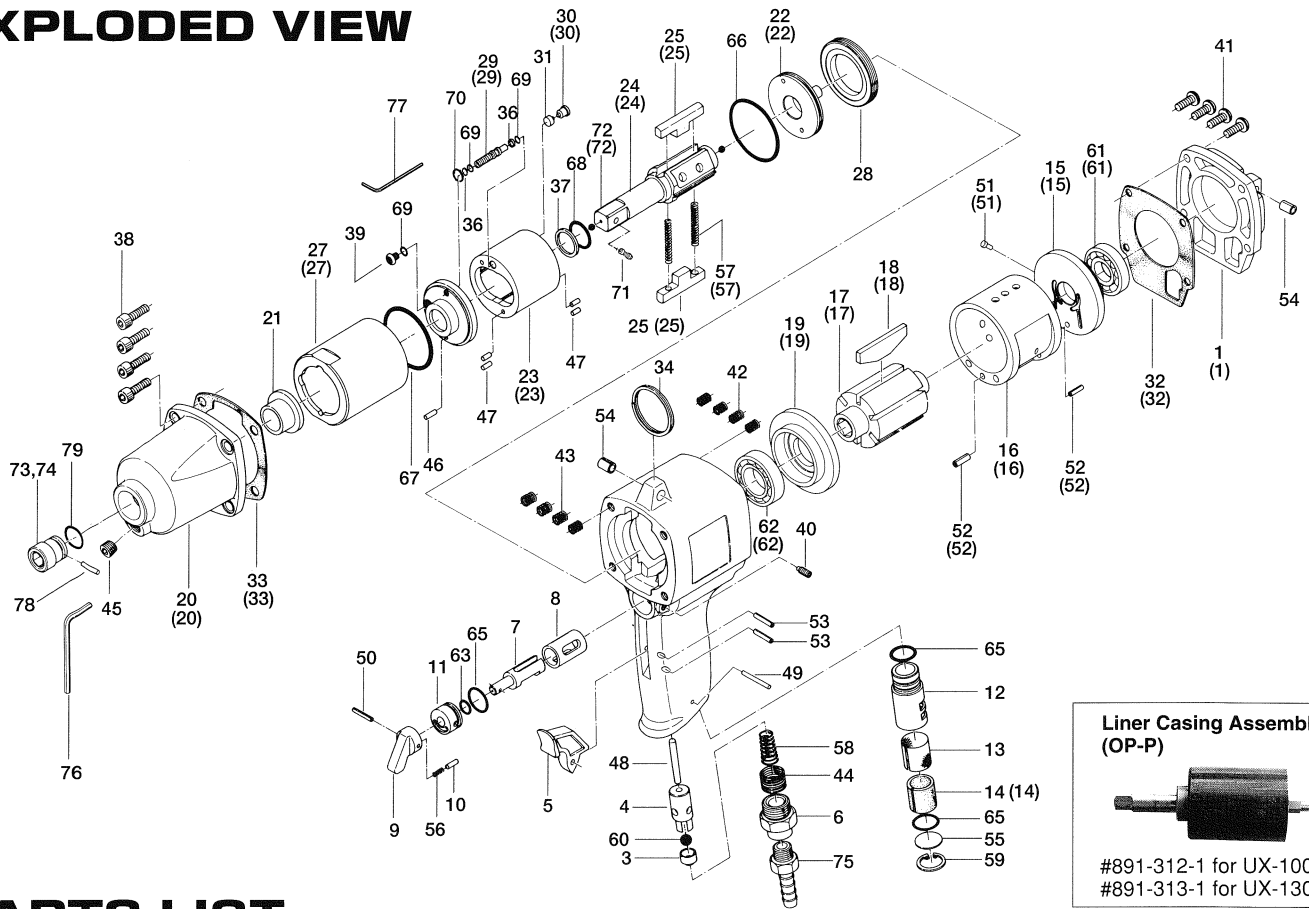


UX-1000 & UX-1300 OIL-PULSE WRENCHES

EXPLODED VIEW



PARTS LIST

Index. No.	Code No.	Parts Name	Quantity	Index. No.	Code No.	Parts Name	Quantity	Index. No.	Code No.	Parts Name	Quantity
# 1	194-012-4	Head Cover	1	# 40	952-108-0	Allen Head Dog Point Screw (M4×8)	1	# (14)	194-835-6	Filter	1
# 2	194-025-4	Handle	1	# 41	945-955-0	Hex Round Head Bolt (M5×16)	4	# (15)	194-285-6	Rear Plate	1
# 3	188-100-1	Valve	1	# 42	965-011-0	Heli-Seft (M5×1.5D)	4	# (16)	063-286-7	Cylinder	1
# 4	063-102-3	Valve Bushing	1	# 43	965-021-0	Heli-Seft (M6×1.5D)	4	# (17)	194-287-6	Rotor	1
# 5	026-107-7	Valve Lever	1	# 44	965-073-0	Heli-Seft (UNF5/8) (N6)	1	# (18)	194-288-6	Blade	6
# 6	185-091-7	Air Inlet Bushing	1	# 45	966-100-0	Allen Head Plug (1/8)	1	# (19)	194-289-6	Front Plate	1
# 7	199-210-1	Reverse Valve	1	# 46	969-450-0	Pin (G) (3×8)	1	# (20)	194-439-6	Front Casing	1
# 8	199-211-1	Reverse Valve Bushing	1	# 47	970-206-0	Pin (H) (3×8)	4	# (22)	194-901-6	Rear Liner Plate	1
# 9	023-212-4	Reverse Lever	1	# 48	970-337-0	Pin (H) (4×36)	1	# (23)	194-902-6	Liner	1
# 10	054-220-1	Reverse Lever Notch	1	# 49	971-163-0	Pin (2.5×23)	1	# (24)	891-313-1	Anvil (OP-P) Assy.	1
# 11	187-222-1	Reverse Lever Setter	1	# 50	973-016-0	Roll Pin (2×16)	1	# (25)	194-440-7	Driving Blade	2
# 12	194-780-4	Exhaust Stack	1	# 51	980-008-0	Round Head Notch (2.4)	1	# (27)	194-905-6	Liner Casing	1
# 13	194-042-4	Silencer	1	# 52	973-108-0	Roll Pin (3×8)	2	# (29)	195-907-3	Relief Valve Spindle	1
# 14	194-835-4	Filter	1	# 53	973-116-0	Roll Pin (3×16)	2	# (30)	195-969-3	Relief Valve Plug	1
# 15	041-285-7	Rear Plate	1	# 54	973-340-0	Roll Pin (6×10)	2	# (32)	194-853-6	Head Cover Packing	1
# 16	188-286-9	Cylinder	1	# 55	975-598-0	Round Plate (18×1)	1	# (33)	194-867-6	Front Casing Packing	1
# 17	194-287-4	Rotor	1	# 56	976-025-0	Spring (3×8.5)	1	# (51)	973-066-0	Roll Pin (2.6×6)	1
# 18	175-288-9	Rotor Blade (PC)	6	# 57	976-453-0	Spring (4.5×34.5) WPC	2	# (52)	973-212-0	Roll Pin (4×12)	2
# 19	194-289-4	Front Plate	1	# 58	977-175-0	Cone Spring (7.5×10.3×22)	1	# (57)	976-453-0	Spring (4.5×34.5)WPC	2
# 20	194-439-4	Front Casing	1	# 59	979-318-0	Inner Snap Ring (IRTW-18)	1	# (61)	982-404-0	Ball Bearing (EE-5)	1
# 21	189-328-8	Anvil Bushing	1	# 60	981-208-0	Ball (5/16) Black	1	# (62)	982-905-0	Ball Bearing (6904)	1
# 22	194-901-4	Rear Liner Plate	1	# 61	982-403-0	Ball Bearing (EE-4)	1	# (72)	194-319-7	Anvil (OP-O)	1
# 23	194-902-4	Liner	1	# 62	982-951-0	Ball Bearing (16003)	1	ACCESSORIES			
# 24	891-312-1	Anvil (OP-P) Assy.	1	# 63	990-205-0	O-Ring (JW1516-5)	1	# 73	900-153-0	Hexagon Socket (1/2SQ 17×31) for UX-1000	1
# 25	194-440-4	Driving Blade	2	# 65	990-914-0	O-Ring (SNS-16)	3	# 74	900-170-0	Hexagon Socket (1/2SQ 19×35) for UX-1300	1
# 26	194-904-4	Front Liner Plate	1	# 66	990-930-0	O-Ring (SNS-40)	1	# 75	940-114-0	Air Hose Nipple (NPT 1/4×3/8)	1
# 27	194-905-4	Liner Casing	1	# 67	990-932-0	O-Ring (SNS-42)	1	# 76	939-104-0	Allen Wrench (5MM)	1
# 28	194-906-4	Liner Casing Cover	1	# 68	990-156-0	O-Ring (P-16) (NTN)	1	# 77	939-109-0	Allen Wrench (2MM) (64×64)	1
# 29	194-907-4	Relief Valve Spindle	1	# 69	990-971-0	O-Ring (SNS-3) (NOK)	3	# 78	971-991-0	Pin (3.2×24)	1
# 30	194-969-4	Relief Valve Plug	1	# 70	990-974-0	O-Ring (SNS-6) (NOK)	1	# 79	990-291-0	O-Ring (JW17)	1
# 31	195-970-3	Relief Valve	1	# 71	891-304-1	Socket Retainer Pin Assy	1				
# 32	194-853-4	Head Cover Packing	1	# 72	194-319-4	Anvil (OP-O)	1				
# 33	194-867-4	Front Casing Packing	1	SPECIAL PARTS FOR MODEL UX-1300 (OTHER PARTS UNCHANGED)							
# 34	004-790-2	Suspension Ring	1	# (1)	194-012-6	Head Cover	1				
# 36	944-003-0	Supporter Ring (3×5×1)	2	# (2)	194-025-6	Handle	1				
# 37	944-215-0	Supporter Ring (16×19.9×1.5)	1								
# 38	945-216-0	Allen Head Bolt (M6×16)	4								
# 39	945-942-0	Hexagon Round Head Bolt (M4×6)	1								

When ordering spare parts, please specify tool type, code number and parts name.

Printed in Japan



URYU SEISAKU, LTD. Osaka, Japan