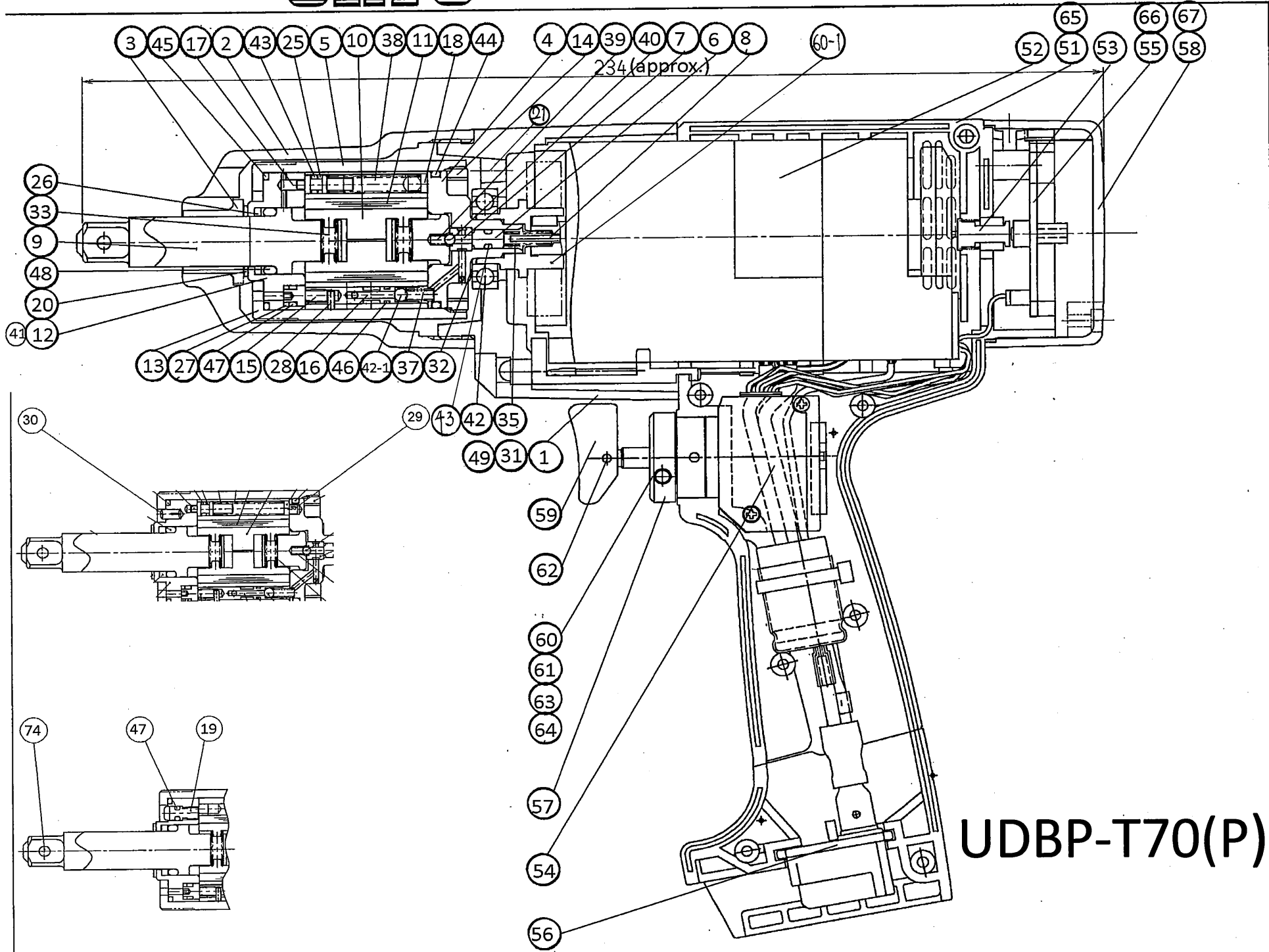


# URYU



# PARTS LIST FOR UDBP-T70(P)

No.	Code	Item	Q'ty for a tool
1	098-065-7	HANDLE FRONT PLATE	1
2	094-439-5	FRONT CASING	1
3	190-328-6	ANVIL BUSHING	1
4	147-901-6	REAR LINER PLATE	1
5	147-902-6	LINER	1
6	145-546-6	PISTON	1
7	145-929-6	CHECK VALVE COVER	1
8	098-130-7	OPERATING ROD 1.4X103.2	1
9	18E-319-3	ANVIL	1
10	147-440-6	DRIVING BLADE	2
11	147-974-6	ROLLER 2.5X28	2
12	147-904-6	FRON LINER PLATE	1
13	147-905-6	LINER CASING	1
14	147-906-6	LINER CASING COVER	1
15	174-907-2	RELIEF VALVE SPINDLE	1
16	098-970-7	RELIEF VALVE	1
17	145-972-6	ACCUMULATOR	1
18	145-908-7	ACCUMULATOR COVER	1
19	194-742-0	OIL PLUG	1
20	178-327-9	ANVIL FRONT SPACER	1
21	080-835-3	FILTER	3
25	944-002-0	SUPPORTING RING 2.6X4.5X1	1
26	944-213-0	SUPPORTING RING 12X16X1	1
27	944-203-0	SUPPORTING RING 3.1X5X1	1
28	970-013-0	PIN(H) 1.5X4	1
29	970-204-0	PIN(H) 3X6	4
30	969-449-0	PIN 3X6	1
31	962-006-0	SPRING WASHER	4
32	975-752-0	ADJUSTING SPACER 15X10Xt	1
33	976-788-0	SPRING 3.5X25(0.45)WPC	2
34	976-627-0	SPRING 3.3X13(0.5) n=9.5	1
35	976-628-0	SPRING 3.3X13(0.5) n=10.5	1
36	976-629-0	SPRING 3.3X13(0.5) n=11.5	1

No.	Code	Item	Q'ty for a tool
37	976-851-0	SPRING 2.9X8.6(0.4)	1
38	976-819-0	SPRING 4.3X23.6(0.6)	1
39	976-645-0	SPRING 2.4X5(0.3)	1
40	981-001-0	BALL 3/32	1
41	981-045-0	BALL 1.5mm	1
42	982-902-0	BALL BEARING 6901	1
42-1	981-150-0	BALL 3mm	1
43	990-320-0	O-RING ARP568-003	2
44	990-923-0	O-RING SNS-26	1
45	990-334-0	O-RING JW1530-24	1
46	990-621-0	O-RING 3.8X1.8X1.0	1
47	990-970-0	O-RING SNS-2(NOK)	2
48	991-030-0	X-RING	1
49	963-366-0	SCREW M4x55 ( H )	4
51	861-171-1	HANDLE	1
52	863-954-1	MOTOR ASSEMBLY	1
53	861-173-1	SLIDE BASE ASSEMBLY	1
54	861-174-1	SWITH ASSEMBLY	1
55	861-175-1	OPERATION BOARD	1
56	861-194-1	BATTERY CONTACT	1
57	861-177-1	SLEEVE	1
58	861-178-1	HANDLE COVER	1
59	147-107-2	VALVE LEVER	1
60	480-212-8	REVERSE LEVER	1
60-1	863-957-1	COUPLING	1
61	954-105-0	SCREW M4x5	1
62	973-014-0	ROLLER PIN 2X14	1
63	976-006-0	SPRING 3X5(0.4)	1
64	981-002-0	BALL 1/8	1
65	861-179-1	SCREW	7
66	861-180-1	SCREW	2
67	861-181-1	SCREW	2