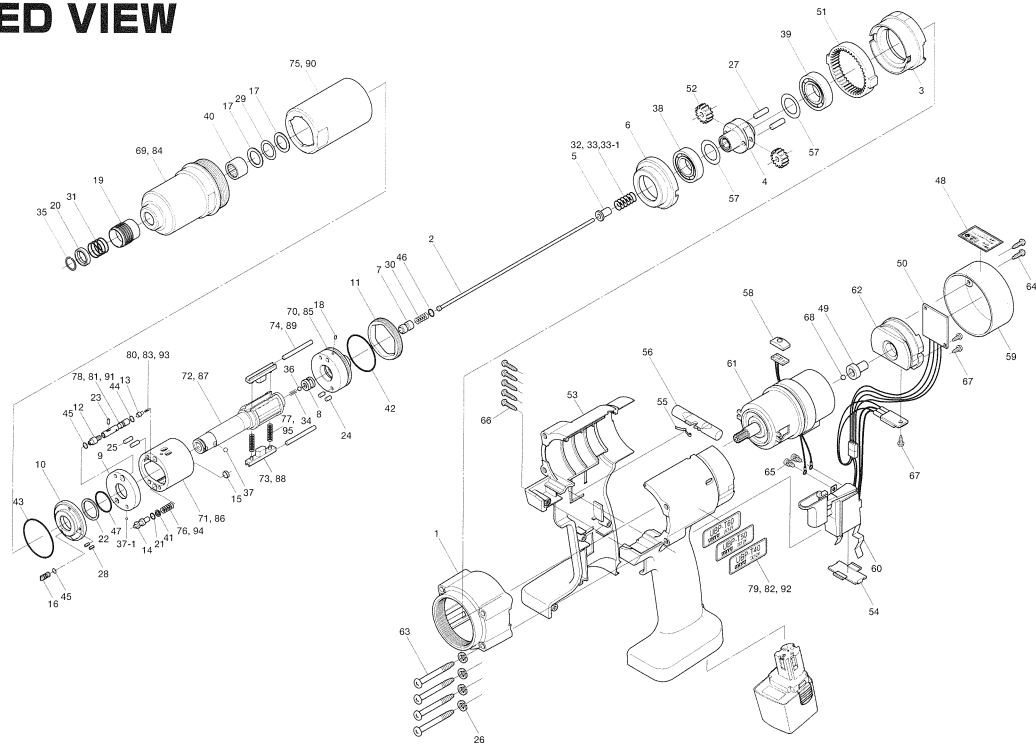


UBP-T SERIES BATTERY OIL-PULSE TOOL

EXPLODED VIEW



- * 861-495-1 Handle Assembly components are marked with "○".
- ** Recommended Battery Charger : Panasonic Model EY0203B(AC230V)
- *** Recommended Battery Pack : Panasonic Model EY9200B

PARTS LIST

Index No.	Code No.	Parts Name	Quantity	Index No.	Code No.	Parts Name	Quantity	Index No.	Code No.	Parts Name	Quantity
# 1	157-065-4	Handle Front Cover	1	#37	981-002-0	Ball(1/8)	1	#70	145-901-0	Rear Liner Plate	1
# 2	157-650-4	Operating Rod	1	#37-1	981-045-0	Ball(1.5mm)	1	#71	145-902-0	Liner	1
# 3	157-029-3	Gear Casing	1	#38	982-923-0	Ball Bearing(6902ZZ)	1	#72	145-350-2	Driver Anvil	1
# 4	157-480-4	Gear Cage	1	#39	982-942-0	Ball Bearing(6902ZZNR)	1	#73	145-440-0	Driving Blade	2
# 5	157-164-4	Spring Setter	1	#40	988-460-0	Needle Roller Bearing(HK1210)	1	#74	145-974-0	Roller(2.5×21)	2
# 6	157-062-4	Ball Bearing Casing	1	#41	990-320-0	O-Ring(ARP568-003)	1	#75	145-905-0	Liner Casing	1
# 7	145-546-6	Piston	1	#42	990-329-0	O-Ring(JW1530-19)	1	#76	976-674-0	Spring(4.3×14)(0.55)	1
# 8	145-929-6	Check Valve Cover	1	#43	990-605-0	O-Ring(25×1.45)	1	#77	976-295-0	Spring(3.3×20.5)(0.35)	2
# 9	145-973-6	Liner Casing Spacer	1	#44	990-621-0	O-Ring(3.8×1.8×1.0)	1	Parts for UBP-T40			
#10	145-904-6	Front Liner Plate	1	#45	990-900-0	O-Ring(SNS-2)	2	#78	157-970-2	Relief Valve	1
#11	145-906-6	Liner Casing Cover	1	#46	990-305-0	O-Ring(ARP568-003)(KS)	1	#79	157-924-2	Name Plate	1
#12	145-907-6	Relief Valve Spindle	1	#47	992-020-0	SU-Ring(Q12)(NTN)	1	#80	976-637-0	Spring(2.8×6.9)(0.4)	1
#13	144-270-0	Pressure Control Valve	1	#48	158-995-6	Name Plate(Caution)	1	Parts for UBP-T50			
#14	145-972-6	Accumulator	1	Parts for 861-495-1 Handle Assembly				Parts for UBP-T60			
#15	145-908-7	Accumulator Cover	1	#49	861-438-1	○ Slide Base	1	#81	157-970-6	Relief Valve	1
#16	194-742-0	Oil Plug	1	#50	861-169-1	○ Operating Board	1	#82	157-924-3	Name Plate	1
#17	145-327-6	Anvil Front Spacer	2	#51	861-453-1	○ Internal Gear	1	#83	976-602-0	Spring(2.7×7.3)(0.4)	1
#18	150-064-5	Plug	1	#52	861-454-1	○ Planet Gear	2	Parts for UBP-T60			
#19	011-351-1	Bit Sleeve(1/8)	1	#53	861-478-1	○ Handle Set	1	#84	157-439-4	Front Casing	1
#20	011-352-1	Bit Spacer	1	#54	861-480-1	○ Shield Plate	1	#85	145-901-6	Rear Liner Plate	1
#21	944-002-0	Supporting Ring(2.6×4.5×1)	1	#55	861-482-1	○ Plate Spring	1	#86	145-902-6	Liner	1
#22	944-212-0	Supporting Ring(12×16×1.5)	1	#56	861-483-1	○ Reverse Lever	1	#87	145-350-7	Driver Anvil	1
#23	970-013-0	Pin(H)(1.5×4)	1	#57	861-487-1	○ Gear Cage Spacer	2	#88	145-440-6	Driving Blade	2
#24	970-130-0	Pin(H)(2.45×4.5)	2	#58	861-489-1	○ Lens	1	#89	145-974-6	Roller(2.5×26)	2
#25	970-131-0	Pin(H)(2.45×9.5)	2	#59	861-496-1	○ Head Cover	1	#90	145-905-6	Liner Casing	1
#26	962-006-0	Spring Washer(2-4S)	4	#60	861-167-1	○ Switch	1	#91	157-970-5	Relief Valve	1
#27	972-111-0	Roller Pin(4×11)	2	#61	861-168-1	○ Motor	1	#92	157-924-4	Name Plate	1
#28	973-040-0	Roll Pin(1.5×5)	2	#62	861-499-1	○ Handle Rear Cover	1	#93	976-639-0	Spring(2.9×7.4)(0.45)	1
#29	975-754-0	Adjusting Spacer(17×12.5×1)	1	#63	861-160-1	○ Tapping Screw(K4×45)	4	#94	976-665-0	Spring(4.3×19)(0.55)	1
#30	976-601-0	Spring(1.9×6.5)(0.23)	1	#64	861-161-1	○ Screw(K3×10)	2	#95	976-781-0	Spring(3.3×20.5)(0.4)	2
#31	976-327-0	Spring(13.5×11)(0.9)	1	#65	861-162-1	○ Screw(M3×5)	2	Standard Accessories			
#32	976-694-0	Spring(4.3×9.2)(0.5) (Standard)	1	#66	861-163-1	○ Screw(3×20)	5	#96	939-091-0	Allen Wrench(1.5mm)	1
#33	976-696-0	Spring(4.3×9.8)(0.5)(Strong)	1	#67	861-164-1	○ Screw(2.6×8)	3	Parts for UBP-T40 & T50			
#33-1	976-599-0	Spring(4.1×9.8)(0.45)(Weak)	1	#68	981-000-0	○ Ball(1/16)	1	#69	157-439-3	Front Casing	1
#34	976-645-0	Spring(2.4×5)(0.3)	1								
#35	978-117-0	Snap Ring(11.7×1)	1								
#36	981-001-0	Ball(3/32)	1								

When ordering spare parts, please specify tool type, code number and part name.

Printed in Japan



URYU SEISAKU, LTD. Osaka, Japan

For further information, please contact at any time your nearest URYU distributor.

OKA-491-07-07-12-500