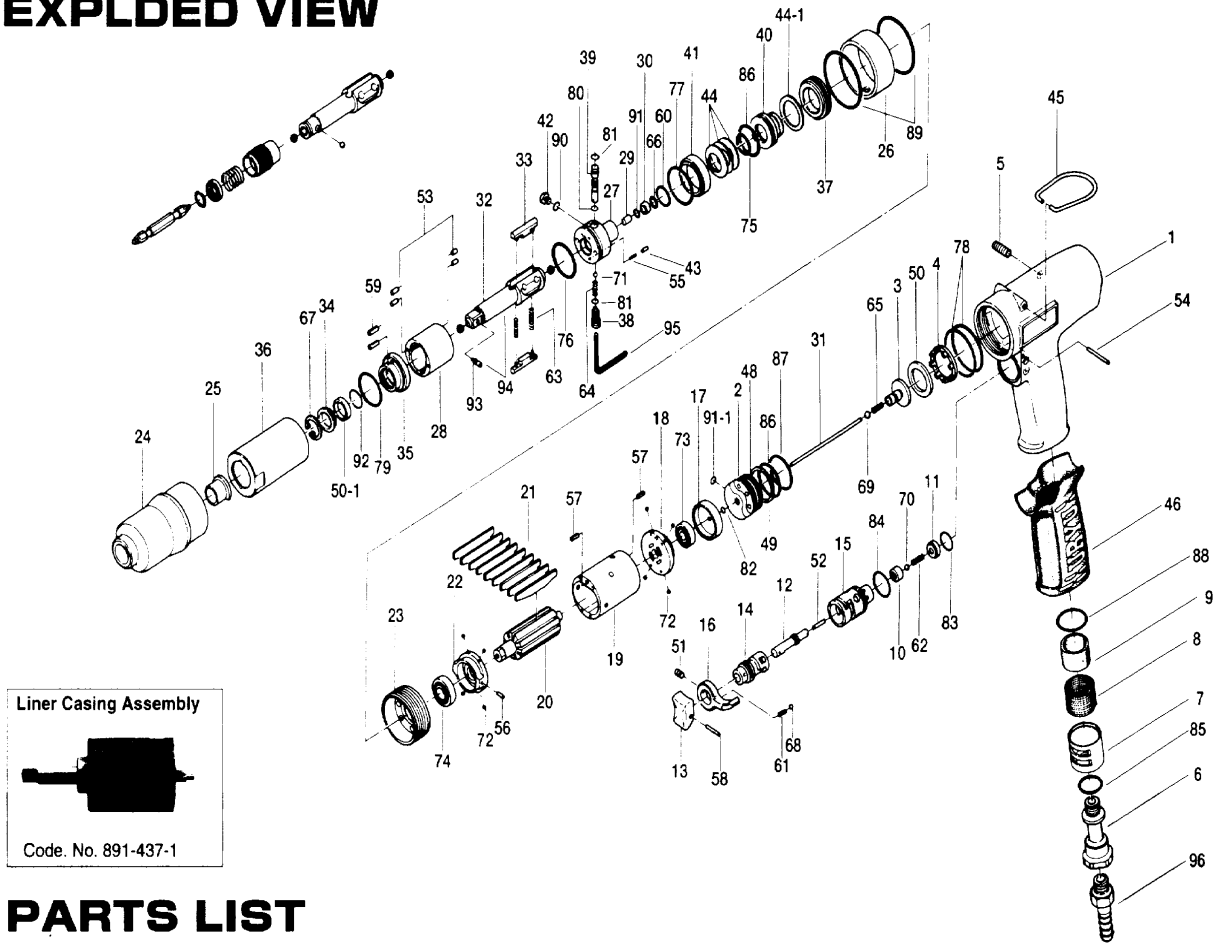


ALPHA T62 OIL-PULSE WRENCH

EXPLODED VIEW



PARTS LIST

Index No.	Code No.	Part Name	Quantity	Index No.	Code No.	Part Name	Quantity	Index No.	Code No.	Part Name	Quantity
# 1	150-025-9	Handle	1	# 35	150-904-9	Front Liner Plate	1	# 67	979-317-0	Inner Snap Ring(IRTW-17)	1
# 2	150-253-5	Shut-Off Valve Bushing	1	# 36	150-905-9	Liner Casing	1	# 68	981-002-0	Ball(1/8)	1
# 3	150-254-9	Shut-Off Valve	1	# 37	190-906-6	Liner Casing Setter	1	# 69	981-003-0	Ball(5/32)	1
# 4	150-684-5	Cushion Spacer	1	# 38	150-907-5	Relief Valve Spindle	1	# 70	981-155-0	Ball(3.5mm)	1
# 5	150-108-5	Valve Plug	1	# 39	150-970-7	Relief Valve	1	# 71	981-225-0	Ball(2.5mm)	1
# 6	173-091-0	Air Inlet Bushing	1	# 40	155-972-5	Accumulator	1	# 72	981-045-0	Ball(1.5mm)	8
# 7	173-780-0	Exhaust Stack	1	# 41	150-973-9	Liner Casing Spacer	1	# 73	982-401-0	Ball Bearing(EE2)	1
# 8	173-042-0	Silencer	1	# 42	150-742-9	Oil Plug	1	# 74	982-402-0	Ball Bearing(EE3)	1
# 9	173-835-0	Filter(K-100)	1	# 43	150-064-5	Plug	1	# 75	990-440-0	O-Ring(1-A JASO-1014)	1
# 10	174-100-8	Valve	1	# 44	155-167-2	Belleville Spring(609)	3	# 76	990-329-0	O-Ring(JW1530-19)	1
# 11	150-019-5	Valve Cover	1	# 44-1	150-682-9	Buffer	1	# 77	990-331-0	O-Ring(JW1530-21)	1
# 12	150-103-5	Valve Rod Bushing	1	# 45	010-790-1	Suspension Ring	1	# 78	990-337-0	O-Ring(JW1530-27)	2
# 13	177-107-5	Valve Lever	1	# 46	150-842-5	Handle Cover	1	# 79	990-605-0	O-Ring(25X1.45)	1
# 14	480-210-9	Reverse Valve	1	# 48	944-226-0	Supporting Ring(16X25.5X2.1)	1	# 80	990-623-0	O-Ring(4.6X3.0X0.8)	1
# 15	174-211-8	Reverse Valve Bushing	1	# 49	944-227-0	Supporting Ring(16X25.5X2)	1	# 81	990-625-0	O-Ring(5.5X3.5X1.0)	2
# 16	480-212-8	Reverse Lever	1	# 50	944-228-0	Supporting Ring(26X18X1.5)	1	# 82	990-900-0	O-Ring(SNS-2)	1
# 17	150-291-5	Rear Plate Spacer	1	# 50-1	944-213-0	Supporting Ring(12X16X1)	1	# 83	990-911-0	O-Ring(SNS-12)	1
# 18	150-285-5	Rear Plate	1	# 51	952-106-0	Allen Head Dog Point Screw(M4X6)	1	# 84	990-912-0	O-Ring(SNS-14)	1
# 19	150-286-9	Cylinder	1	# 52	969-412-0	Pin(G)(2X12)	1	# 85	990-916-0	O-Ring(SNS-18)	1
# 20	150-287-9	Roter	1	# 53	970-130-0	Pin(H)(2.45X4.5)	4	# 86	990-979-0	O-Ring(SNS-20)NOK	2
# 21	150-288-9	Blade(PC)	9	# 54	971-123-0	Pin(2X23)	1	# 87	990-919-0	O-Ring(SNS-22)	1
# 22	150-289-5	Front Plate	1	# 55	972-011-0	Roller Pin(1.5X4.8)	1	# 88	990-921-0	O-Ring(SNS-22.4)	1
# 23	177-036-5	Hammer Casing Connector	1	# 56	973-006-0	Roll Pin(2X6)	1	# 89	990-333-0	O-Ring(JW1530-23)	2
# 24	150-439-9	Front Casing	1	# 57	973-007-0	Roll Pin(2X7)	2	# 90	990-323-0	O-Ring(ARP-568-004)	1
# 25	190-328-6	Anvil Bushing	1	# 58	973-014-0	Roll Pin(2X14)	1	# 91	990-964-0	O-Ring(ARP-568-004)NOK	1
# 26	150-384-9	Hammer Casing Band	1	# 59	973-040-0	Roll Pin(1.5X5)	2	# 91-1	990-901-0	O-Ring(SNS-3)	1
# 27	150-901-9	Rear Liner Plate	1	# 60	975-752-0	Adjusting Spacer(15X10X1)	1	# 92	990-152-0	O-Ring(P12) (NTN)	1
# 28	190-902-6	Liner	1	# 61	976-006-0	Spring(3X5X0.4)	1	# 93	891-300-1	Socket Pin Assembly	1
# 29	150-546-5	Piston	1	# 62	976-229-0	Spring(3.2X13X0.3)	1	# 94	891-316-1	Anvil Assembly(OP-P)	1
# 30	150-557-5	Piston Bushing	1	# 63	976-791-0	Spring(3.3X21X0.4 WPC	2	ACCESSORY			
# 31	189-130-4	Operating Rod(2.1X83.2)	1	# 64	976-423-0	Spring(3.1X7.2X0.45)	1	= 95	939-109-0	Allen Wrench(2X64X64)	1
# 32	178-319-8	Anvil	1	# 65	976-424-0	Spring(4.5X11X0.5)	1	= 96	940-114-0	Air Hose Nipple(1/4X3/8)	1
# 33	190-440-6	Driving Blade	2	# 66	978-090-0	Snap Ring(9X0.7)	1				
# 34	150-807-6	Spacer	1								

When ordering spare parts, please specify tool type, code number and part name.

Printed in Japan

URYU SEISAKU, LTD. Osaka, Japan