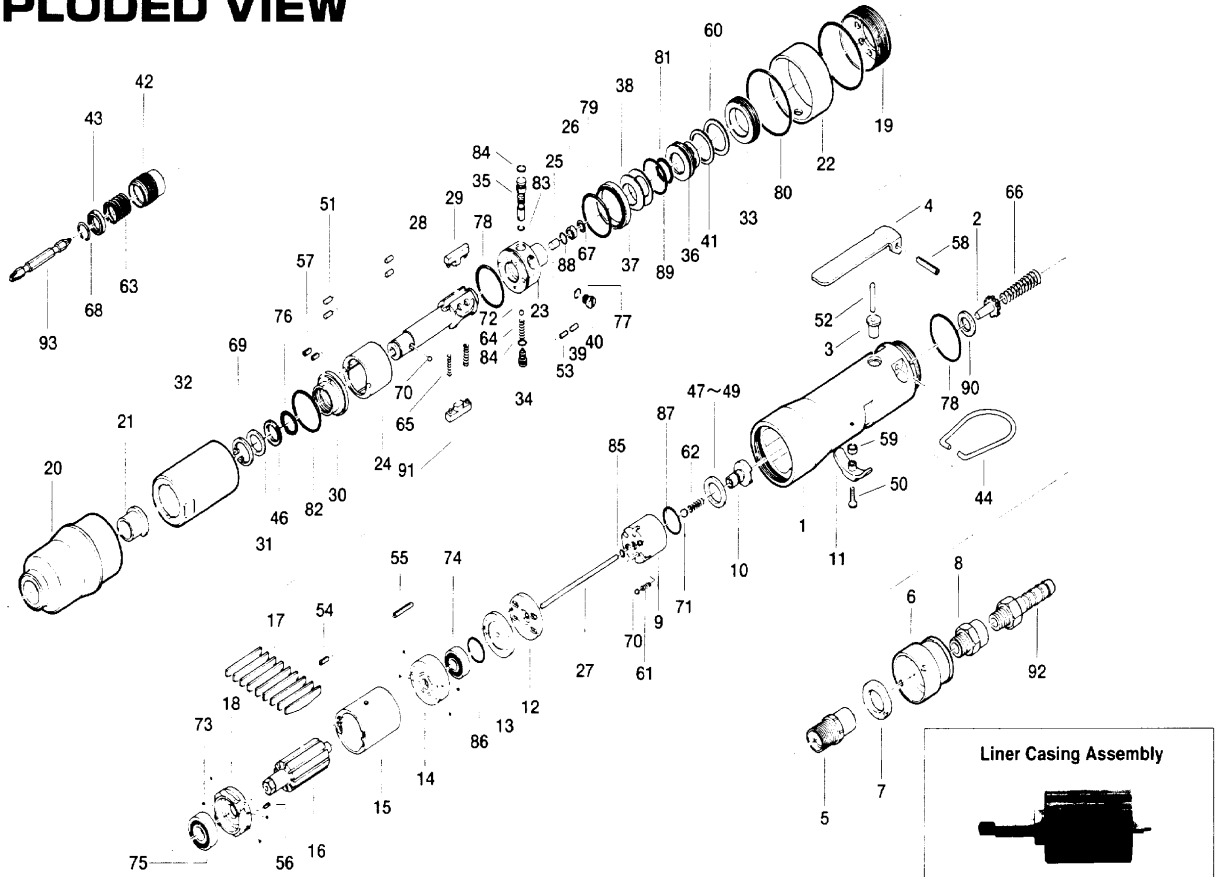


ALPHA T42SD OIL-PULSE WRENCH

EXPLODED VIEW



PARTS LIST

Index No.	Code No.	Parts Name	Quantity	Index No.	Code No.	Parts Name	Quantity	Index No.	Code No.	Parts Name	Quantity
≠ 1	155-025-2	Casing	1	≠ 34	150-907-5	Relief Valve Spindle	1	≠ 67	978-090-0	Snap Ring (9X0.7)	1
≠ 2	259-100-0	Valve	1	≠ 35	150-970-7	Relief Valve	1	≠ 68	978-117-0	Snap Ring (11.7X1)	1
≠ 3	161-103-3	Valve Rod Bushing	1	≠ 36	150-972-6	Accumulator	1	≠ 69	979-317-0	Snap Ring (IRTW-17)	1
≠ 4	196-107-7	Valve Lever	1	≠ 37	150-973-5	Liner Casing Spacer	1	≠ 70	981-002-0	Ball (1/8)	2
≠ 5	461-097-6	Air Inlet Connector	1	≠ 38	155-167-2	Belleville Spring (609)	2	≠ 71	981-003-0	Ball (5/32)	1
≠ 6	161-782-3	Exhaust Cover	1	≠ 39	150-064-5	Plug	1	≠ 72	981-225-0	Ball (2.5mm)	1
≠ 7	472-835-7	Filter	1	≠ 40	142-742-4	Oil-Plug	1	≠ 73	981-045-0	Ball (1.5mm)	8
≠ 8	480-091-8	Air Inlet Bushing	1	≠ 41	150-682-9	Buffer	1	≠ 74	982-401-0	Ball Bearing (EE2)	1
≠ 9	155-253-2	Shut-Off Valve Bushing	1	≠ 42	011-351-1	Bit Sleeve	1	≠ 75	982-402-0	Ball Bearing (EE3)	1
≠ 10	155-254-2	Shut-Off Valve	1	≠ 43	011-352-1	Bit Spacer	1	≠ 76	990-152-0	O-Ring (P12/NTN)	1
≠ 11	161-212-3	Reverse Lever	1	≠ 44	010-790-1	Suspension Ring	1	≠ 77	990-971-0	O-Ring (SNS-3/NOK)	1
≠ 12	155-213-2	Reverse Valve Spacer	1	≠ 46	944-213-0	Supporting Ring (12X16X1)	1	≠ 78	990-329-0	O-Ring (JW1530-19)	2
≠ 13	155-291-2	Rear Plate Spacer	1	≠ 47	944-216-0	Supporting Ring (14X20X1.85) (Standard)	1	≠ 79	990-331-0	O-Ring (JW1530-21)	1
≠ 14	154-285-7	Rear Plate	1	≠ 48	944-217-0	Supporting Ring (14X20X1.8)	1	≠ 80	990-333-0	O-Ring (JW1530-23)	2
≠ 15	154-286-7	Cylinder	1	≠ 49	944-218-0	Supporting Ring (14X20X1.9)	1	≠ 81	990-440-0	O-Ring (No.1-JASO-1014)	1
≠ 16	155-287-2	Rotor	1	≠ 50	948-426-0	Allen Head Bolt (M3X12)	1	≠ 82	990-605-0	O-Ring (25X1.45)	1
≠ 17	155-288-2	Blade (PC)	9	≠ 51	970-130-0	Pin (H) (2.45X4.5)	4	≠ 83	990-623-0	O-Ring (4.6X3.0X0.8)	1
≠ 18	161-289-3	Front Plate	1	≠ 52	970-220-0	Pin (H) (3X20)	1	≠ 84	990-625-0	O-Ring (5.5X3.5X1.0)	2
≠ 19	177-036-5	Hammer Casing Connector	1	≠ 53	972-011-0	Roller Pin (1.5X4.8)	1	≠ 85	990-900-0	O-Ring (SNS-2)	1
≠ 20	152-439-6	Front Casing	1	≠ 54	973-001-0	Roll Pin (1.5X6)	1	≠ 86	990-914-0	O-Ring (SNS-16)	1
≠ 21	190-328-6	Anvil Bushing	1	≠ 55	973-004-0	Roll Pin (1.5X20)	1	≠ 87	990-916-0	O-Ring (SNS-18)	1
≠ 22	152-384-6	Hammer Casing Band	1	≠ 56	973-005-0	Roll Pin (2X5)	1	≠ 88	990-964-0	O-Ring (ARP568-008/NOK)	1
≠ 23	155-901-2	Rear Liner Plate	1	≠ 57	973-040-0	Roll Pin (1.5X5)	2	≠ 89	990-979-0	O-Ring (SNS-20/NOK)	1
≠ 24	177-902-5	Liner	1	≠ 58	973-124-0	Roll Pin (3X24)	1	≠ 90	996-424-0	Packing (16X9X2)	1
≠ 25	150-546-5	Piston	1	≠ 59	975-004-0	Spacer (5.5X3.1X2.7)	1				
≠ 26	150-557-5	Piston Bushing	1	≠ 60	975-788-0	Adjusting Spacer (22X18.5X1)	1				
≠ 27	188-130-9	Piston Rod (2.1X77.0)	1	≠ 61	976-006-0	Spring (3X5X0.4)	1				
≠ 28	177-350-7	Driver Anvil	1	≠ 62	976-314-0	Spring (4.3X11X0.4)	1				
≠ 29	177-440-5	Driving Blade	2	≠ 63	976-327-0	Spring (13.5X11X0.9)	1				
≠ 30	150-904-5	Front Liner Plate	1	≠ 64	976-395-0	Spring (2.8X6.9X0.3)	1				
≠ 31	150-807-6	Liner Casing Spacer	1	≠ 65	976-791-0	Spring (3.3X21X0.4)WPC	2				
≠ 32	150-905-5	Liner Casing	1	≠ 66	977-155-0	Cone Spring (7X10X35)	1				
≠ 33	190-906-6	Liner Casing Cover	1								

ACCESSORIES

≠ 91	939-109-0	Allen Wrench 2 (64X64)	1
≠ 92	940-114-0	Air Hose Nipple (NPT1/4X3/8)	1
≠ 93	916-810-0	(W) Bit No.2X75(6.35H)	1

When ordering spare parts, please specify tool type, code number and part name.

Printed in Japan

URYU SEISAKU, LTD. Osaka, Japan

OKA-457-99-10-20-2001