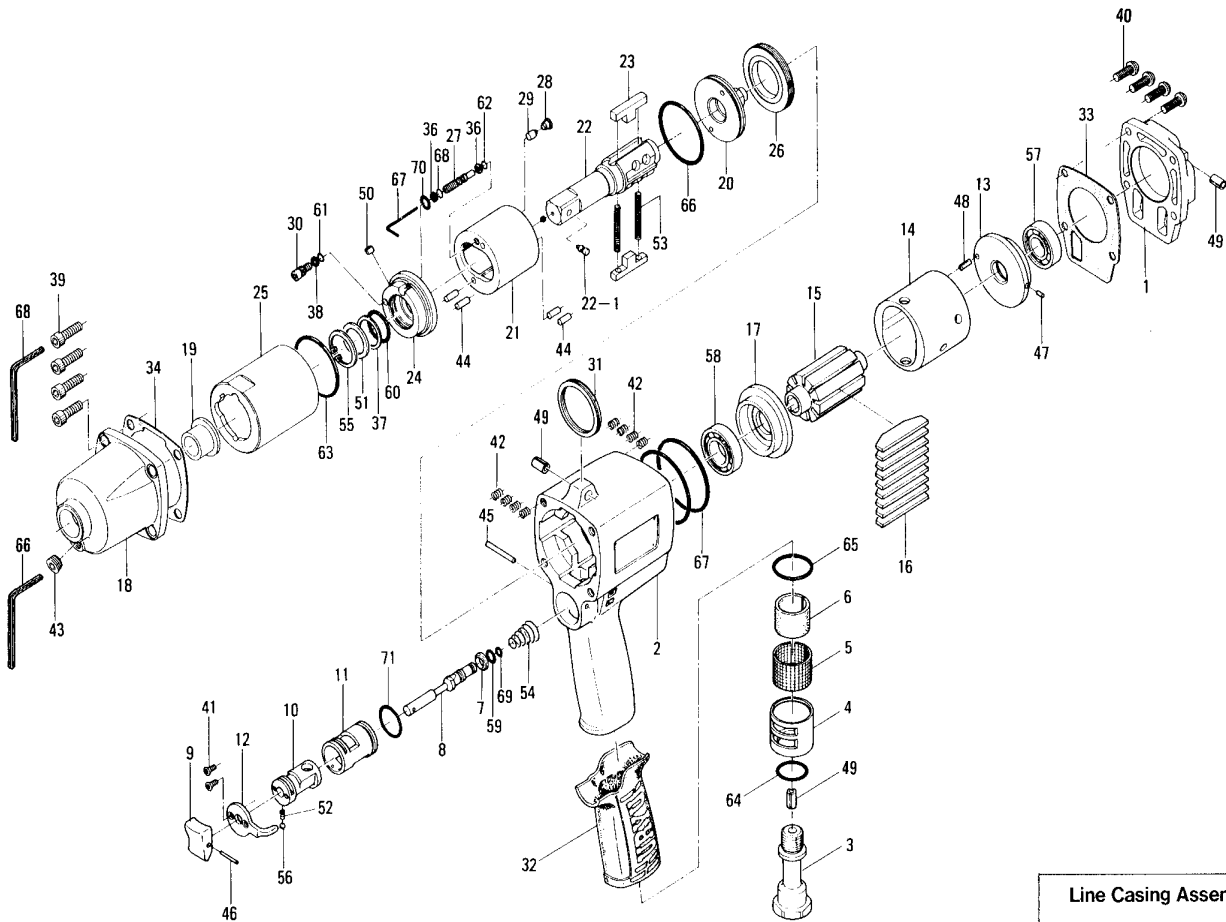


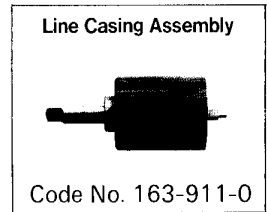
ALPHA 80 OIL-PULSE WRENCH

EXPLODED VIEW



PARTS LIST

Index No.	Code No.	Parts Name	Quantity	Index No.	Code No.	Parts Name	Quantity	Index No.	Code No.	Parts Name	Quantity
# 1	194-012-2	Head Cover	1	#27	194-907-2	Relief Valve Spindle	1	#53	976-248-0	Spring (3.7×29) (0.5)	2
# 2	163-025-0	Handle	1	#28	194-969-2	Relief Valve Plug	1	#54	977-160-0	Cone Spring (7.4×14×20)	1
# 3	173-091-0	Air Inlet Bushing	1	#29	194-970-2	Relief Valve	1	#55	979-321-0	Snap Ring (IRTW-21)	1
# 4	173-780-0	Exhaust stack	1	#30	163-742-0	Oil Plug	1	#56	981-002-0	Ball (1/8)	1
# 5	173-042-0	Silencer	1	#31	004-790-2	Suspension Ring	1	#57	982-403-0	Ball Bearing (EE-4)	1
# 6	178-835-0	Filter	1	#32	173-842-0	Handle Cover	1	#58	982-950-0	Ball Bearing (16002)	1
# 7	173-100-0	Valve	1	#33	194-853-2	Handle Cover Packing	1	#59	990-002-0	O-Ring (P4)	1
# 8	173-104-0	Valve Rod	1	#34	194-867-2	Front Casing Packing	1	#60	990-156-0	O-Ring (P16) (NTN)	1
# 9	177-107-5	Valve Lever	1	#36	944-002-0	Supporting Ring (2.6×4.5×1)	2	#61	990-319-0	O-Ring (ARP568-002)	1
#10	173-210-0	Reverse Valve	1	#37	944-215-0	Supporting Ring (16×19.9×1.5)	1	#62	990-320-0	O-Ring (ARP568-003)	1
#11	173-211-0	Reverse Valve Bushing	1	#38	944-000-0	Supporting Ring (2.5×4×1)	1	#63	990-337-0	O-Ring (JW 1530-27)	1
#12	173-212-0	Reverse Lever	1	#39	945-117-0	Allen Head Bolt	4	#64	990-916-0	O-Ring (SNS-18)	1
#13	163-285-0	Rear Plare	1	#40	935-955-0	Hexagon Round Head Bolt	4	#65	990-921-0	O-Ring (SNS-22.4)	1
#14	163-286-0	Cylinder	1	#41	948-423-0	Allen Flush Head Screw	2	#66	990-924-0	O-Ring (SNS-30)	1
#15	163-287-0	Rotor	1	#42	965-011-0	Heil-Sert (M5×1.5D)	8	#67	990-934-0	O-Ring (SNS-44)	2
#16	164-288-0	Blade	9	#43	966-110-0	Allen Head Plug (1/8)	1	#68	990-970-0	O-Ring (SNS-2) (NOK)	1
#17	163-289-0	Front Plate	1	#44	970-206-0	Pin (G) (3×8)	4	#60	990-972-0	O-Ring (SNS-4) (NOK)	1
#18	163-439-0	Front Casing	1	#45	971-125-0	Pin (H) (2×25)	1	#70	990-973-0	O-Ring (SNS-5) (NOK)	1
#19	188-328-2	Anvil Bushing	1	#46	973-014-0	Roll Pin (2×14)	1	#71	990-914-0	O-Ring (SNS-16)	1
#20	194-901-2	Rear Liner Plate	1	#47	973-066-0	Roll Pin (2.5×6)	1	ACCESSORIES			
#21	194-902-2	Liner	1	#48	973-068-0	Roll Pin (2.5×8)	1	#71	940-114-0	Air Hose Nipple (NPT1 / 1.4×3/8)	1
#22	891-317-1	Anvil (OP-P)	1	#49	973-340-0	Roll Pin (6×10)	3	#72	939-104-0	Allen Wrench (5mm)	1
#22-1	891-304-1	Socket Pin Assembly	1	#50	974-005-0	Key	1	#73	939-091-0	Allen Wrench(1.5mm)(80×20)	1
#23	194-440-2	Driving Blade	2	#51	975-154-0	Spacer (20.8×16.2×1.5)(H)	1	#74	939-105-0	Allen Wrench (4mm)	1
#24	163-904-1	Front Liner Plate	1	#52	976-006-0	Spring (3×5) (0.4)	1				
#25	163-905-0	Liner Casing	1								
#26	194-906-2	Liner Casing Setter	1								



When ordering spare parts, please specify tool type, code number and parts name.

Printed in Japan

URYU SEISAKU, LTD. Osaka, Japan