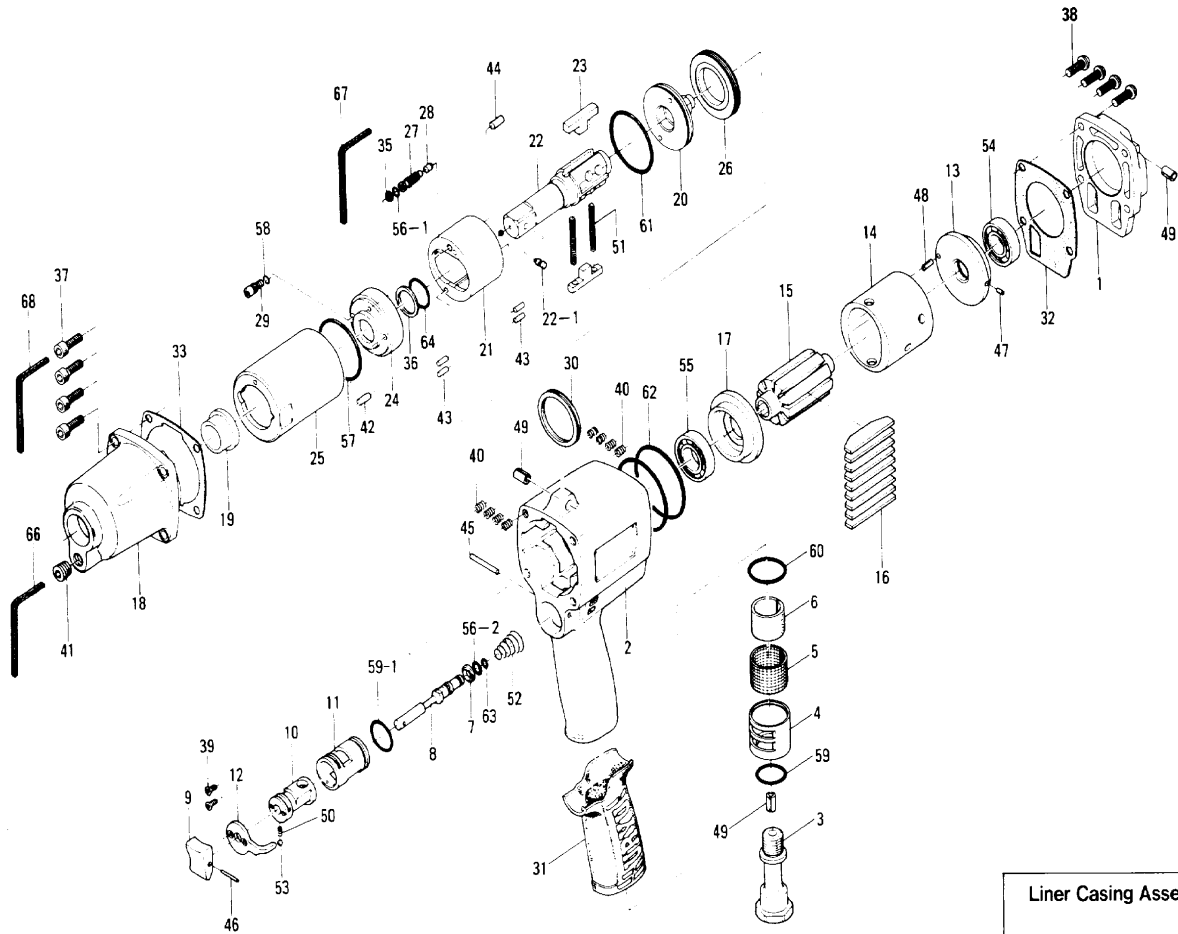


ALPHA 70 OIL-PULSE WRENCH

EXPLODED VIEW



Liner Casing Assembly



Code No. 891-432-1

PARTS LIST

Index No.	Code No.	Parts Name	Quantity	Index No.	Code No.	Parts Name	Quantity	Index No.	Code No.	Parts Name	Quantity
≠ 1	194-012-0	Head Cover	1	≠ 25	194-905-0	Liner Casing	1	≠ 49	973-340-0	Roll Pin (6×10)	3
≠ 2	164-025-0	Handle	1	≠ 26	194-906-0	Liner Casing Setter	1	≠ 50	976-006-0	Spring (3×5) (0.4)	1
≠ 3	173-091-0	Air Inlet Bushing	1	≠ 27	194-907-0	Relief Valve Spindle	1	≠ 51	976-793-0	Spring (3.7×29) WPC	2
≠ 4	173-780-0	Exhaust Stack	1	≠ 28	194-970-1	Relief Valve	1	≠ 52	977-160-0	Cone Spring (7.4×14×20)	1
≠ 5	173-042-0	Silencer	1	≠ 29	194-742-0	Oil Plug	1	≠ 53	981-002-0	Ball (1/8)	1
≠ 6	173-835-0	Filter	1	≠ 30	004-790-2	Suspension Ring	1	≠ 54	982-402-0	Ball Bearing (EE-3)	1
≠ 7	173-100-0	Valve	1	≠ 31	173-842-0	Handle Cover	1	≠ 55	982-903-0	Ball Bearing (6902)	1
≠ 8	173-104-0	Valve Rod	1	≠ 32	194-853-0	Head Cover Packing	1	≠ 56-1	990-002-0	O-Ring (P4)	1
≠ 9	177-107-5	Valve Lever	1	≠ 33	194-867-0	Front Casing Packing	1	≠ 56-2	990-320-0	O-Ring (ARP-568-003)	1
≠ 10	173-210-0	Reverse Valve	1	≠ 35	944-002-0	Supporting Ring (2.6×4.5×1)	1	≠ 57	990-334-0	O-Ring (JW1530-24)	1
≠ 11	173-211-0	Reverse Valve Bushing	1	≠ 36	944-013-0	Supporting Ring (P12)	1	≠ 58	990-900-0	O-Ring (SNS-2)	1
≠ 12	173-212-0	Reverse Lever	1	≠ 37	945-117-0	Allen Head Bolt (M5×16)	4	≠ 59	990-916-0	O-Ring (SNS-18)	1
≠ 13	164-285-0	Rear Plate	1	≠ 38	945-955-0	Hexagon Round Head Bolt (M5×16)	4	≠ 59-1	990-914-0	O-Ring (SNS-16)	1
≠ 14	164-286-0	Cylinder	1					≠ 60	990-921-0	O-Ring (SNS-22.4)	1
≠ 15	164-287-0	Rotor	1	≠ 39	948-423-0	Allen Flush Head Screw (M3×6)	2	≠ 61	990-923-0	O-Ring (SNS-26)	1
≠ 16	164-288-0	Blade	9					≠ 62	990-930-0	O-Ring (SNS-40)	2
≠ 17	164-289-0	Front Plate	1	≠ 40	965-011-0	Heli-Sert (M5×1.5D)	8	≠ 63	990-972-0	O-Ring (SNS-4) (NOK)	1
≠ 18	194-439-0	Front Casing	1	≠ 41	966-100-0	Allen Head (1.8)	1	≠ 64	990-152-0	O-Ring (P12) (NTN)	1
≠ 19	190-328-6	Anvil Bushing	1	≠ 42	969-449-0	Pin (G) (3×6)	1				
≠ 20	194-901-0	Rear Liner Plate	1	≠ 43	970-204-0	Pin (H) (3×6)	4	ACCESSORIES			
≠ 21	194-902-1	Liner	1	≠ 44	970-310-0	Pin (H) (4×10)	4	≠ 65	940-114-0	Air Hose Nipple (NPT1 4×3 8)	1
≠ 22	891-309-1	Anvil (OP-P) Assembly	1	≠ 45	971-125-0	Pin (2×25)	1	≠ 66	939-104-0	Allen Wrench (5mm)	1
≠ 22-1	891-300-1	Socket Pin Assembly	1	≠ 46	973-014-0	Roll Pin (2×14)	1	≠ 67	939-091-0	Allen Wrench (1.5mm) (80×20)	1
≠ 23	194-440-0	Driving Blade	2	≠ 47	973-066-0	Roll Pin (2.5×6)	1	≠ 68	939-105-0	Allen Wrench (4mm)	1
≠ 24	194-904-0	Front Liner Plate	1	≠ 48	973-068-0	Roll Pin (2.5×8)	1				

When ordering spare parts, please specify tool type, code number and parts name.

URYU SEISAKU, LTD. Osaka, Japan