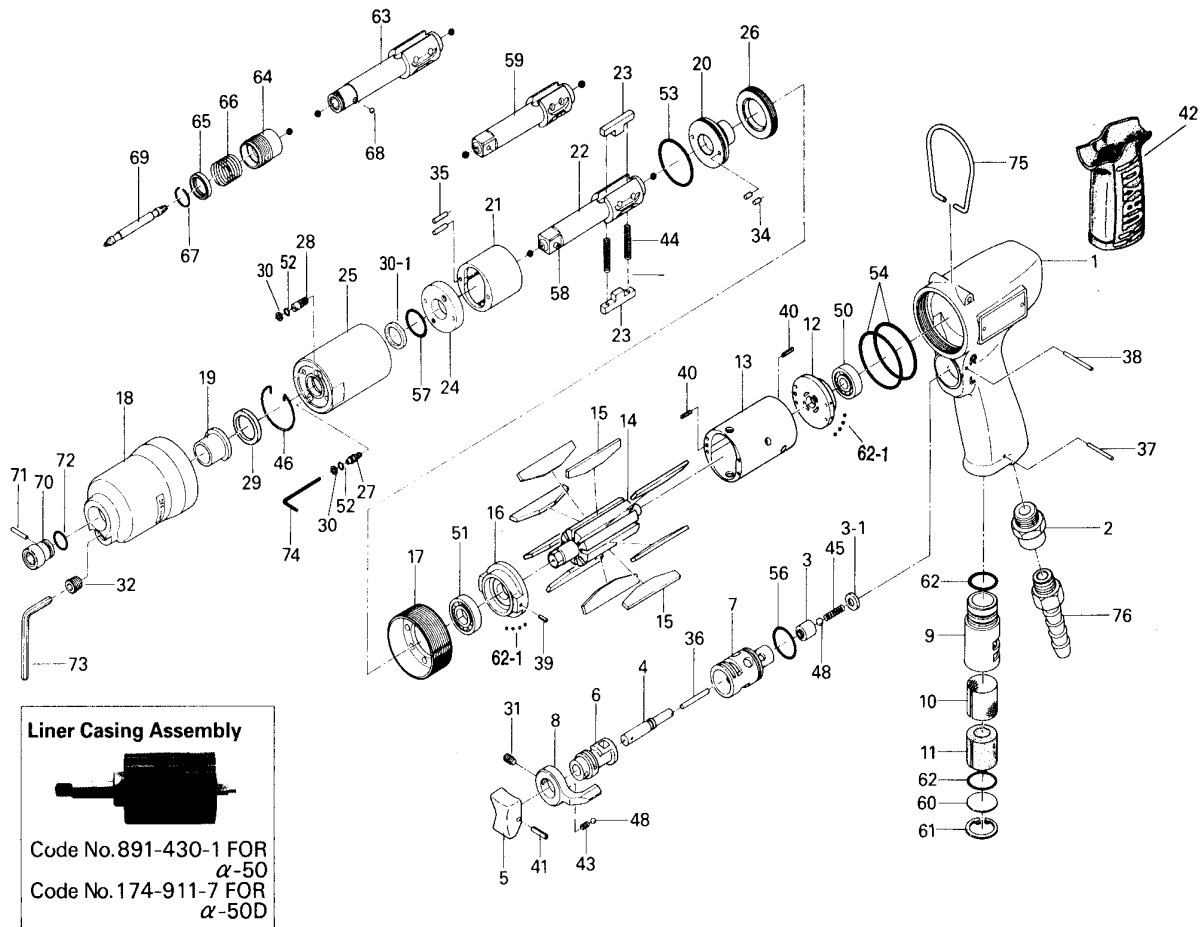


ALPHA 50(D) OIL-PULSE WRENCHES

EXPLODED VIEW



Liner Casing Assembly



Code No. 891-430-1 FOR
α-50
Code No. 174-911-7 FOR
α-50D

PARTS LIST

Index No.	Code No.	Parts Name	Quantity	Index No.	Code No.	Parts Name	Quantity	Index No.	Code No.	Parts Name	Quantity
# 1	174-025-0	Casing	1	#27	174-907-8	Relief Valve Spindle	1	#53	990-329-0	O-Ring (JW1530-19)	1
# 2	480-091-8	Air Inlet Bushing	1	#28	178-742-0	Oil Plug	1	#54	990-337-0	O-Ring (JW1530-27)	2
# 3	850-383-1	Valve	1	#29	178-327-9	Anvil Front Spacer	1	#56	990-912-0	O-Ring (SNS-14)	1
# 3-1	850-384-1	Valve Cover	1	#30	944-002-0	Supporting Ring (2.6x4.5x1)	2	#57	990-152-0	O-Ring(P12) (NTN)	1
# 4	427-103-5	Valve Rod Bushing	1	#30-1	944-214-0	Supporting Ring (12x15.9x1.5)	1	#58	891-300-1	Socket Pin Assembly (3/8)	1
# 5	177-107-5	Valve Lever	1	#31	952-106-0	Allen Head Dog Point Screw (M4x6)	1	#59	177-319-5	Anvil (0)	1
# 6	480-210-9	Reverse Valve	1	#32	966-110-0	Allen Head Plug (NPT1/16)	1	#60	975-598-0	Round Plate (18x1)	1
# 7	850-382-1	Reverse Valve Bushing	1	#33	970-130-0	Pin (H) (2.45x4.5)	2	#61	979-318-0	Inner Snap Ring (IRTW-18)	1
# 8	480-212-8	Reverse Lever	1	#35	970-135-0	Pin (H) (2.45x11)	2	#62	990-914-0	O-Ring (SNS-16)	2
# 9	194-780-4	Exhaust Stack	1	#36	969-412-0	Pin (G) (2x12)	1	#62-1	981-045-0	Ball (1.5)	8
#10	194-042-4	Silencer	1	#37	971-160-0	Pin (2.5x20)	1	PARTS FOR α-50D			
#11	174-780-4	Filter	1	#38	971-123-0	Pin (2x23)	1	#63	177-350-7	Driver Anvil	1
#12	174-285-0	Rear Plate	1	#39	973-006-0	Roll Pin (2x6)	1	#64	011-351-1	Bit Sleeve	1
#13	174-286-0	Cylinder	1	#40	973-008-0	Roll Pin (2x8)	2	#65	011-352-1	Bit Spacer	1
#14	174-287-0	Rotor	1	#41	973-014-0	Roll Pin (2x14)	1	#66	976-327-0	Spring (13.5x11)	1
#15	177-288-0	Blade	9	#42	174-842-8	Handle Cover	1	#67	978-117-0	Snap Ring (11.7x1.0)	1
#16	174-289-0	Front Plate	1	#43	976-006-0	Spring (3x5)	1	#68	981-002-0	Ball (1/8)	1
#17	177-036-5	Hammer Casing Connector	1	#44	976-791-0	Spring (3.3x21) WPC	2	ACCESSORIES			
#18	177-439-5	Front Casing	1	#45	976-229-0	Spring (3.2x13) (0.3)	1	#69	916-810-0	(+) Double Bit (No. 2x75)	1
#19	190-328-6	Anvil Bushing	1	#46	978-282-0	Snap Ring (28x1.0)	1	#70	900-008-0	Hexagon Socket (3/8)	1
#20	196-901-4	Rear Liner Plate	1	#48	981-002-0	Ball (1/8)	2	#71	971-990-0	Pin (3x16.5)	1
#21	177-902-5	Liner	1	#50	982-401-0	Ball Bearing (EE-2)	1	#72	990-290-0	O-Ring (JW12)	1
#22	891-307-1	Anvil (OP-P)	1	#51	982-402-0	Ball Bearing (EE-3)	1	#73	939-105-0	Allen Wrench (4MM)	1
#23	177-440-5	Driving Blade	2	#52	990-320-0	O-Ring (ARP568-003)	2	#74	939-091-0	Allen Wrench (1.5)	1
#24	178-904-8	Front Liner Plate	1					#75	010-790-1	Suspension Ring	1
#25	177-905-6	Liner Casing	1					#76	940-114-0	Air Hose Nipple (NPT1/4x3/8)	1
#26	190-906-6	Liner Casing Setter	1								

When ordering spare parts, please specify tool type, code number and part name.

Printed in Japan

URYU SEISAKU, LTD. Osaka, Japan

OKA-384-99-01-12-2005