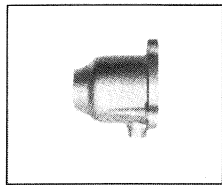


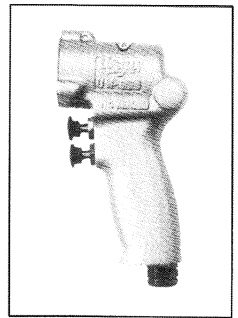
UW-B6SLK IMPACT WRENCH

EXPLODED VIEW



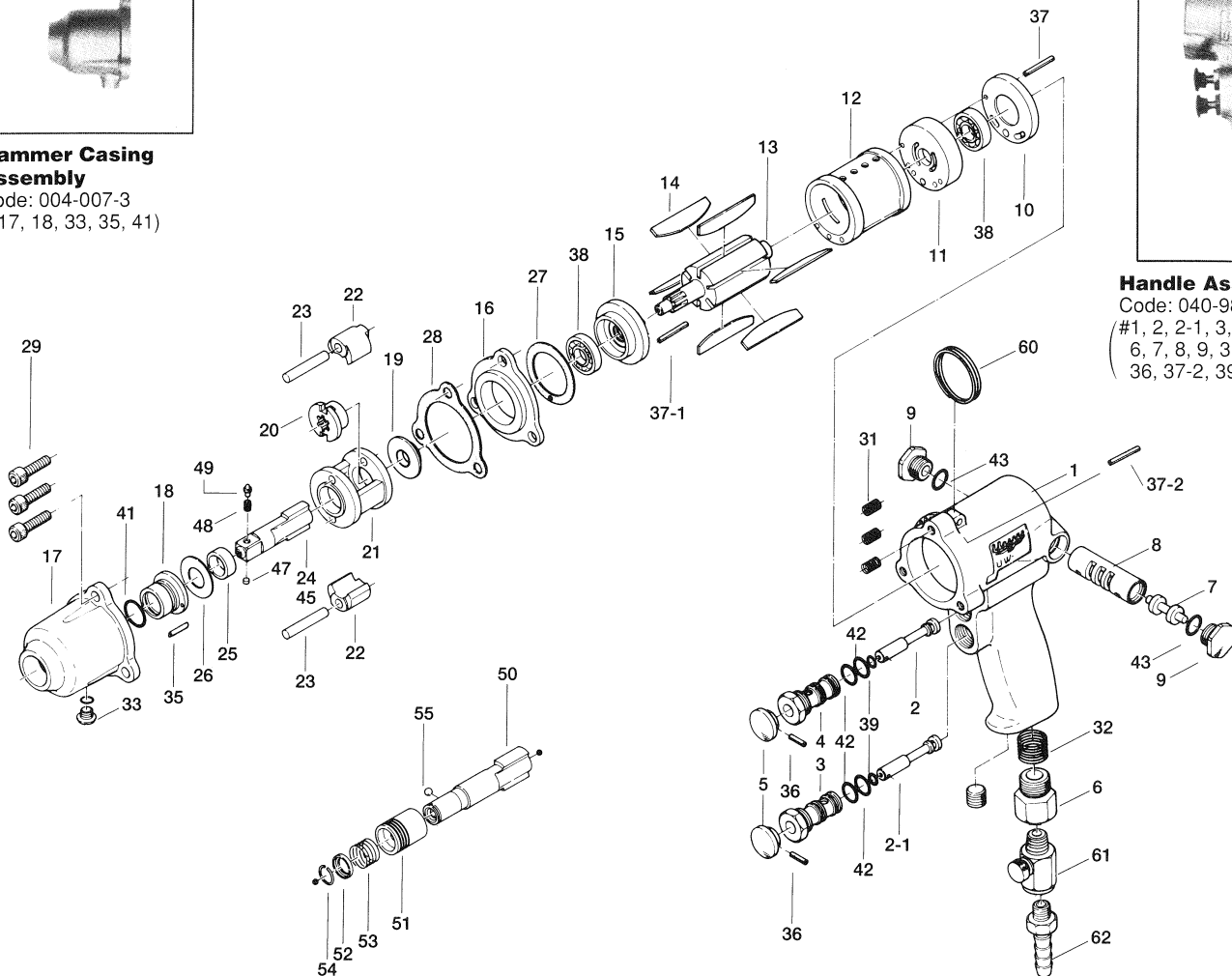
Hammer Casing Assembly

Code: 004-007-3
(#17, 18, 33, 35, 41)



Handle Assembly

Code: 040-984-1
(#1, 2, 2-1, 3, 4, 5, 6, 7, 8, 9, 31, 32, 36, 37-2, 39, 42, 43)



PARTS LIST

Handle Assembly components are marked with "○".
Hammer Casing Assembly components are marked with "*".

Index No.	Code No.	Parts Name	Quantity	Index No.	Code No.	Parts Name	Quantity	Index No.	Code No.	Parts Name	Quantity
# 1	040-025-1	○ Handle	1	#21	004-312-1	Hammer Cage	1	#42	990-610-0	○ O-Ring (8×2)	4
# 2	040-100-1	○ Valve	1	#22	004-313-1	Hammer	2	#43	990-908-0	○ O-Ring (SNS-10)	2
# 2-1	603-100-2	○ Valve	1	#23	004-317-1	Hammer Pin	2	#45	131-319-1	Anvil (P)	1
# 3	606-101-1	○ Valve Bushing	1	#24	004-319-1	Anvil (O)	1	#47	971-250-0	Pin (3.3×2)	1
# 4	040-101-1	○ Valve Bushing	1	#25	004-326-1	Hammer Cage Bushing	1	#48	976-018-0	Spring (2.8×8.5)(0.3)	1
# 5	603-107-2	○ Valve Lever	2	#26	010-327-1	Anvil Front Spacer	1	#49	135-800-2	Socket Retainer Pin (Flat)	1
# 6	180-091-6	○ Air Inlet Bushing	1	#27	004-856-1	Separator Packing	1	#60	004-790-2	Suspension Ring	1
# 7	040-210-1	○ Reverse Valve	1	#28	004-857-1	Front Packing	1	PARTS FOR UW-B6SLD(K)			
# 8	040-211-2	○ Reverse Valve Bushing	1	#29	945-118-0	Allen Head Bolt (M5×18)	3	#50	005-350-1	Driver Anvil	1
# 9	040-214-2	○ Reverse Valve Cover	2	#31	965-011-0	○ Heli-Sert (M5×1.5D)	3	#51	011-351-1	Bit Sleeve	1
#10	040-291-1	Rear Plate Spacer	1	#32	965-073-0	○ Heli-Sert (UHF 5/8-N6)	1	#52	011-352-1	Bit Spacer	1
#11	004-285-7	Rear Plate	1	#33	945-962-0	* Hexagon Round Head Bolt (M6×6)	1	#53	976-327-0	Spring (13.5×11)(0.9)	1
#12	004-286-7	Cylinder	1	#35	973-006-0	* Roll Pin (2×6)	1	#54	978-117-0	Snap Ring (11.7×1)	1
#13	004-287-1	Rotor	1	#36	973-010-0	○ Roll Pin (2×10)	2	#55	981-002-0	Ball (1/8)	1
#14	004-288-1	Blade	6	#37	973-084-0	Roll Pin (2.5×24)	1	ACCESSORIES			
#15	004-289-7	Front Plate	1	#37-1	973-068-0	Roll Pin (2.5×8)	1	#61	932-110-0	Air Regulator(U1/4)	1
#16	004-027-1	Separator	1	#37-2	973-340-0	○ Roll Pin (6×10)	1	#62	940-114-0	Air Hose Nipple(NPT1/4×3/8)	1
#17	004-028-2	* Hammer Casing	1	#38	982-402-0	Ball Bearing (EE-3)	2				
#18	004-328-1	* Anvil Bushing	1	#39	990-203-0	○ O-Ring (JW1516-3)	2				
#19	010-310-1	Anvil Rear Spacer	1	#41	993-032-0	* Felt Ring (12×17×2)	1				
#20	004-311-1	Hammer Cam	1								

When ordering spare parts, please specify tool type, code number and part name.

Printed in Japan



URYU SEISAKU, LTD. Osaka Japan

For further information, please contact at any time your nearest URYU distributor.

OKA-104-07-06-20-506