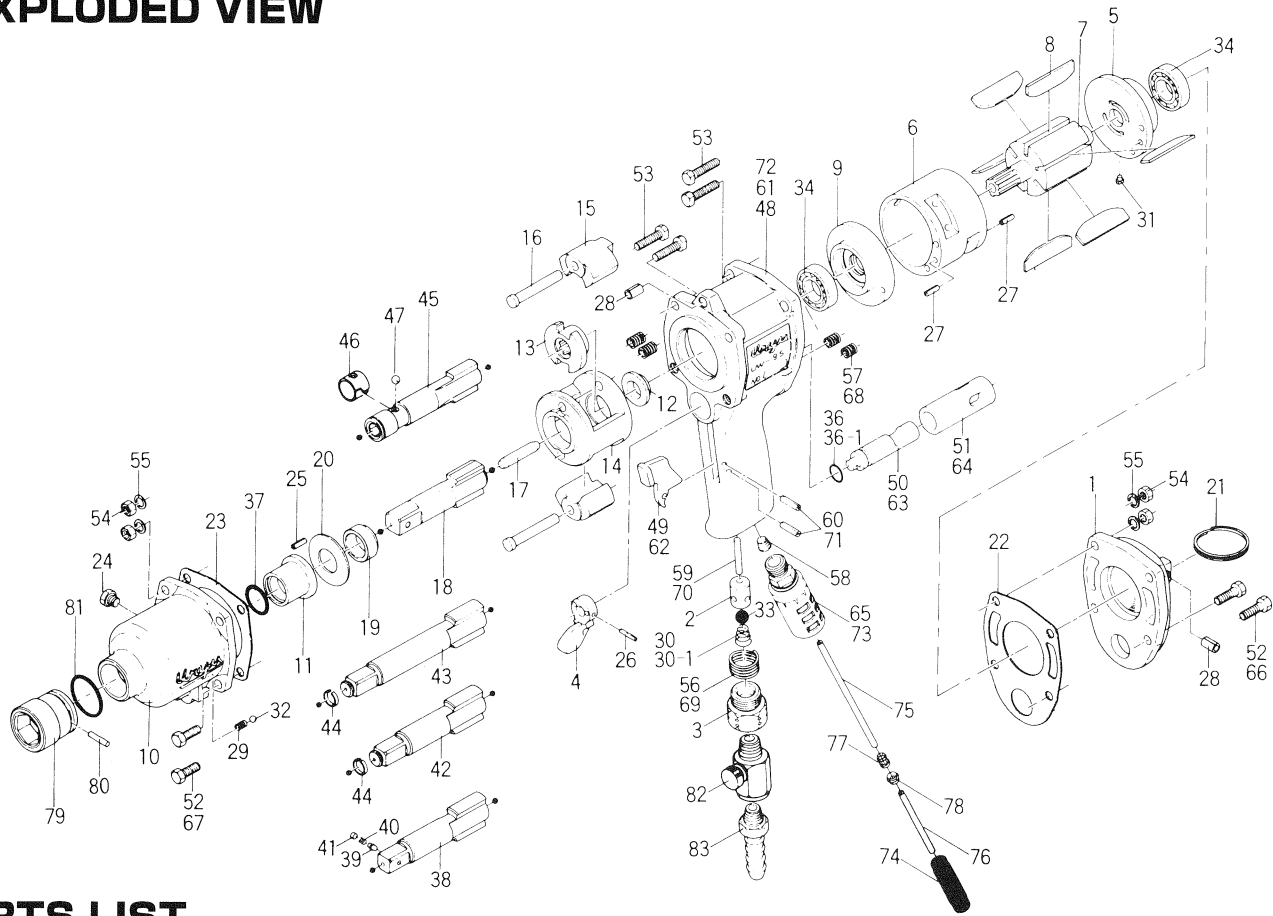


# UW-9SK, 9SDK, 9SRK&9SRK(TM) IMPACT WRENCHES

## EXPLODED VIEW



## PARTS LIST

Index No.	Code No.	Parts Name	Quantity	Index No.	Code No.	Parts Name	Quantity	Index No.	Code No.	Parts Name	Quantity
# 1	041-012-5	Head Cover	1	#34	982-403-0	Ball Bearing (EE4)	2	#61	041-025-6	Handle	1
# 2	010-102-1	Valve Bushing	1	#36	990-007-0	O-Ring (P9)	1	#62	026-107-7	Throttle Trigger	1
# 3	185-091-7	Air Inlet Bushing	1	#37	993-034-0	Felt Ring (16×21×2)	1	#63	041-210-7	Reverse Valve	1
# 4	041-212-2	Reverse Lever	1	#38	153-319-1	Anvil (P)	1	#64	041-211-7	Reverse Valve Bushing	1
# 5	041-285-7	Rear Plate	1	#39	153-800-2	Socket Retainer Pin (Flat)	1	#65	031-885-7	Silencer Assembly	1
# 6	041-286-7	Cylinder	1	#40	976-034-0	Spring (3.6×11×0.5)	1	#66	945-954-0	Hexagon Round Head Bolt (M5×16)	4
# 7	041-287-1	Rotor	1	#41	971-302-0	Pin (4×2)	1	#67	945-116-0	Allen Head Bolt (M5×16)	4
# 8	041-288-1	Blade	6	#42	154-321-1	Anvil (Snap)	1	#68	965-011-0	Heli-Sert (M5×1.5D)	8
# 9	041-289-7	Front Plate	1	#43	155-324-1	Extended Anvil (Snap)	1	#69	965-073-0	Heli-Sert (UNF5/8) (N6)	1
#10	041-028-7	Hammer Casing	1	#44	978-138-0	Snap Ring (13.4×1.8)	1	#70	970-233-0	Pin (H) (3×33)	1
#11	041-328-1	Anvil Bushing	1	<b>Parts for UW-9SDK</b>				#71	973-120-0	Roll Pin (H) (3×20)	1
#12	041-310-1	Anvil Rear Spacer	1	#45	852-041-1	Driver Anvil (8H)	1	<b>Parts for UW-9SRK (TM)</b>			
#13	041-311-1	Hammer Cam	1	#46	852-042-1	Bit Band	1	#72	041-025-9	Handle	1
#14	041-312-1	Hammer Cage	1	#47	981-003-0	Ball (5/32)	1	#73	031-885-9	Silencer Assembly	1
#15	041-313-1	Hammer	2	<b>Parts for UW-9SK</b>				#74	933-250-0	One-Touch Connector (SLS-04)	1
#16	041-317-1	Hammer Pin	2	#48	041-025-2	Handle	1	#75	935-240-0	Nylon Tube (18NY)	1
#17	041-318-1	Pilot Pin	1	#49	018-107-2	Throttle Trigger	1	#76	935-350-0	Polyurethane Hose (F-1504)	1
#18	041-319-1	Anvil (O)	1	#50	041-210-1	Reverse Valve	1	#77	933-500-0	Chuck Ring (04)	1
#19	041-326-1	Hammer Cage Bushing	1	#51	041-211-1	Reverse Valve Bushing	1	#78	933-501-0	Chuck Ring Guide (04)	1
#20	041-327-1	Anvil Front Spacer	1	#52	945-114-0	Allen Head Bolt (M5×14)	4	<b>Accessories</b>			
#21	004-790-2	Suspension Ring	1	#53	947-122-0	Half Head Bolt (M5×22)	4	#79	900-153-0	Hexagon Socket (17×31)	1
#22	041-853-1	Rear Packing	1	#54	960-036-0	Hexagon Nut (1-M5)	4	#80	971-991-0	Pin (32×24)	1
#23	041-857-1	Front Packing	1	#55	961-012-0	Felt Washer (5mm)	4	#81	990-291-0	O-Ring (JW17)	1
#24	945-962-0	Hexagon Round Head Bolt (M6×6)	1	#56	965-073-0	Heli-Sert (UNF5/8) (N6)	1	#82	932-110-0	Air Regulator (U1/4)	1
#25	973-006-0	Roll Pin (2×6)	1	#57	965-011-0	Heli-Sert (M5×15D)	4	#83	940-114-0	Air Hose Nipple (NPT1/4×3/8)	1
#26	973-014-0	Roll Pin (2×14)	1	#58	966-100-0	Allen Head Plug (1/8)	1				
#27	973-108-0	Roll Pin (3×8)	2	#59	970-230-0	Pin (H) (3×30)	1				
#28	973-338-0	Roll Pin (6×8)	2	#60	973-116-0	Roll Pin (3×16)	2				
#29	976-032-0	Spring (3.6×13×0.5)	1	<b>Parts for UW-9SRK</b>							
#30	977-178-0	Cone Spring (7.8×9.8×22)	1	#30-1	977-175-0	Cone Spring (7.8×10.3×22)	1				
#31	980-008-0	Round Head Notch (2.4)	1	#36-1	990-009-1	O-Ring (P10A)	1				
#32	981-003-0	Ball (5/32)	1								
#33	981-207-0	Ball (9/32) (Black)	1								

When ordering spare parts, please specify tool type, code number and part name.

Printed in Japan



**URYU SEISAKU, LTD.** Osaka, Japan

For further information, please contact at any time your nearest URYU distributor.

OKA-012-06-02-02-2008