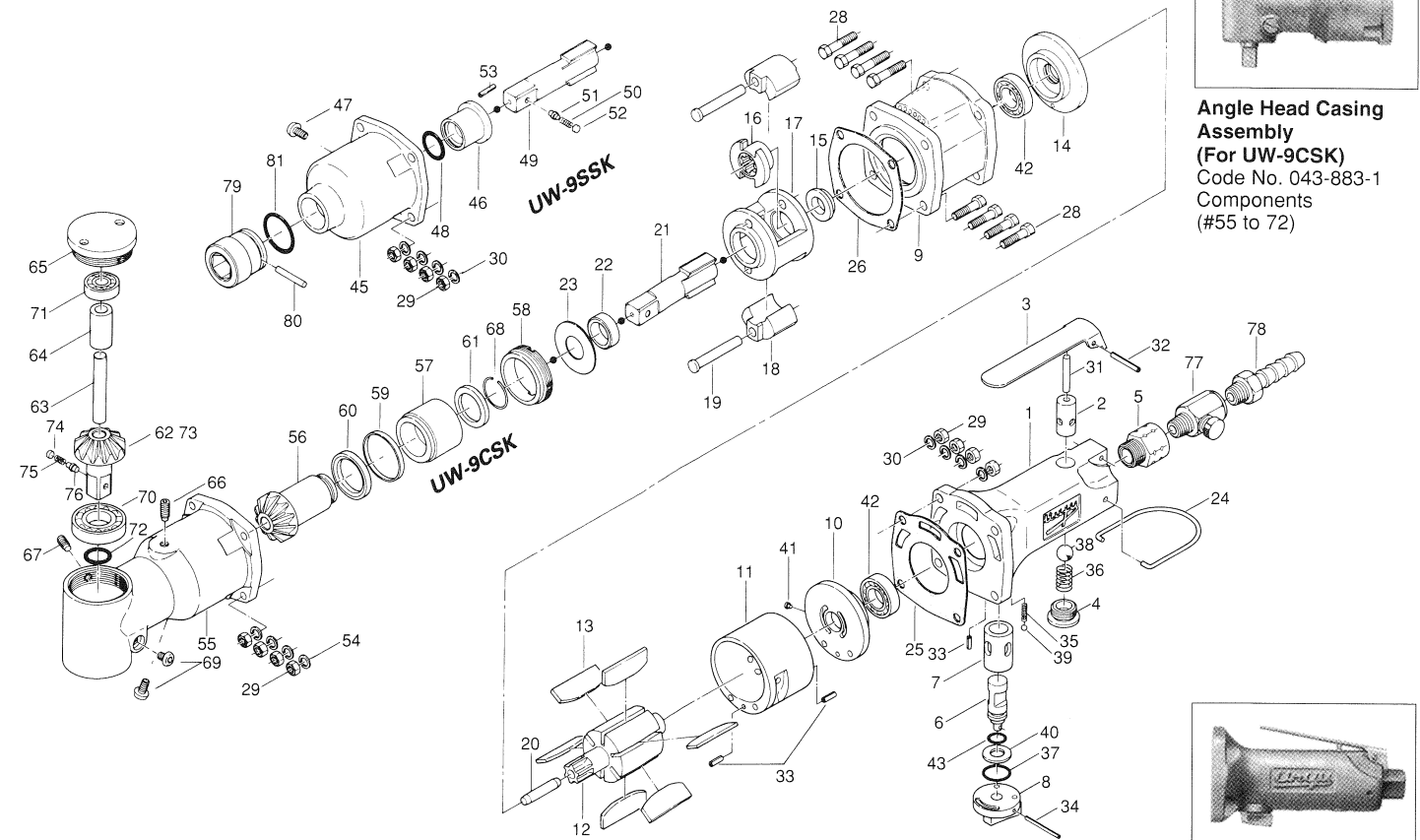


UW-9SSK & UW-9CSK IMPACT WRENCHES

EXPLODED VIEW



Angle Head Casing Assembly (For UW-9CSK)
Code No. 043-883-1
Components (#55 to 72)

Handle Assembly
Code No. 043-982-2
Components (#1, 2, 3, 4, 6, 7, 8, 31, 32, 33, 34, 35, 36, 37, 38, 39, 40, 43)

PARTS LIST

Handle Assembly components are marked with "○"
Angle Head Casing Assembly (for UW-9CSK) components are marked with "×".

Index No.	Code No.	Parts Name	Quantity	Index No.	Code No.	Parts Name	Quantity	Index No.	Code No.	Parts Name	Quantity
# 1	043-011-2	○ Handle	1	#32	973-124-0	○ Roll Pin (3x24)	1	#57	043-421-1	× Driving Gear Bushing	1
# 2	063-102-1	○ Valve Bushing	1	#33	973-108-0	○ Roll Pin (3x8)	3	#58	043-422-1	× Driving Gear Bushing Screw	1
# 3	020-107-1	○ Valve Lever	1	#34	973-026-0	○ Roll Pin (2x26)	1	#59	043-423-1	× Driving Gear Bushing Spacer	1
# 4	066-108-1	○ Valve Plug	1	#35	976-032-0	○ Spring (3.6x13)	1	#60	043-424-1	× Driving Gear Spacer (Large)	1
# 5	185-091-7	○ Air Inlet Bushing	1	#36	976-232-0	○ Spring (9.5x18)	1	#61	043-425-1	× Driving Gear Spacer	1
# 6	043-210-1	○ Reverse Valve	1	#37	978-200-0	○ Snap Ring (20x1.2)	1	#62	043-430-1	× Driven Gear (O)	1
# 7	043-211-1	○ Reverse Valve Bushing	1	#38	981-210-0	○ Ball (3/8)	1	#63	043-431-1	× Driven Gear Spindle	1
# 8	043-212-1	○ Reverse Lever	1	#39	981-003-0	○ Ball (5/32)	1	#64	043-432-1	× Driven Gear Collar	1
# 9	043-025-1	○ Casing	1	#40	975-090-0	○ Spacer (18x9x1.4)	1	#65	043-067-1	× Angle Head Casing Cover	1
#10	041-285-7	○ Rear Plate	1	#41	980-008-0	○ Round Head Notch (2.4)	1	#66	953-310-0	× Allen Head Flat Point Screw (M6x12)	1
#11	041-286-7	○ Cylinder	1	#42	982-403-0	○ Ball Bearing (EE-4)	2	#67	953-306-0	× Allen Head Flat Point Screw (M6x8)	1
#12	041-287-1	○ Rotor	1	#43	990-007-0	○ O-Ring (P9)	1	#68	978-209-0	× Snap Ring (21x1.2)	1
#13	041-288-1	○ Blade	6					#69	945-962-0	× Hexagon Round Head Bolt (M6x6)	2
#14	041-289-7	○ Front Plate	1	PARTS FOR UW-9SSK				#70	982-404-0	× Ball Bearing (EE-5)	1
#15	041-310-1	○ Anvil Rear Spacer	1	#30	961-012-0	○ Flat Washer (5mm)	4	#71	982-015-0	× Ball Bearing (608)	1
#16	041-311-1	○ Hammer Cam	1	#45	042-028-7	○ Hammer Casing	1	#72	990-016-0	× O-Ring (P16)	1
#17	041-312-1	○ Hammer Cage	1	#46	041-328-1	○ Anvil Bushing	1	#73	157-430-1	○ Driven Gear (P)	1
#18	041-313-1	○ Hammer	2	#47	945-962-0	○ Hexagon Round Head Bolt (M6x6)	1	#74	971-302-0	○ Pin (4x2)	1
#19	041-317-1	○ Hammer Pin	2	#48	993-034-0	○ Felt Ring (16x21x2)	1	#75	976-034-0	○ Spring (3.6x11)	1
#20	041-318-1	○ Pilot Pin	1	#49	153-319-1	○ Anvil (P)	1	#76	153-800-2	○ Socket Retainer Pin (Flat)	1
#21	041-319-1	○ Anvil (O)	1	#50	976-034-0	○ Spring (3.6x11)	1	ACCESSORIES			
#22	041-326-1	○ Hammer Cage Bushing	1	#51	153-800-2	○ Socket Retainer Pin (Flat)	1	#77	932-110-0	○ Air Regulator (U1/4)	1
#23	041-327-1	○ Anvil Front Spacer	1	#52	971-302-0	○ Pin (4x2)	1	#78	940-114-0	○ Air Hose Nipple (NPT1/4x3/8)	1
#24	201-790-1	○ Suspension Ring	1	#53	973-006-0	○ Roll Pin (2x6)	1	#79	900-153-0	○ Hexagon Socket (17x31)	1
#25	043-851-1	○ Rear Packing	1	PARTS FOR UW-9CSK				#80	971-991-0	○ Pin (3, 2x24)	1
#26	041-857-1	○ Front Packing	1	#54	962-008-0	○ Spring Washer (2-5S)	4	#81	990-291-0	○ O-Ring (JW17)	1
#28	947-124-0	○ Half Head Bolt (M5x24)	8	#55	043-028-1	× Angle Head Casing	1				
#29	960-036-0	○ Hexagon Nut (1-M5)	8	#56	043-420-1	× Driving Gear	1				
#30	961-012-0	○ Flat Washer (5mm)	4								
#31	970-328-0	○ Pin (H) (4x27)	1								

When ordering spare parts, please specify tool type, code number and parts name.

Printed in Japan



URYU SEISAKU, LTD. Osaka, Japan

For further information, please contact at any time your nearest URYU distributor.

OKA-161-07-06-10-507