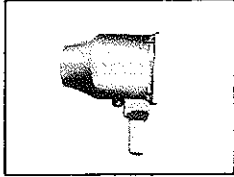
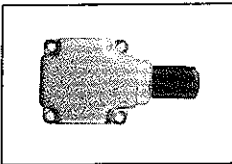
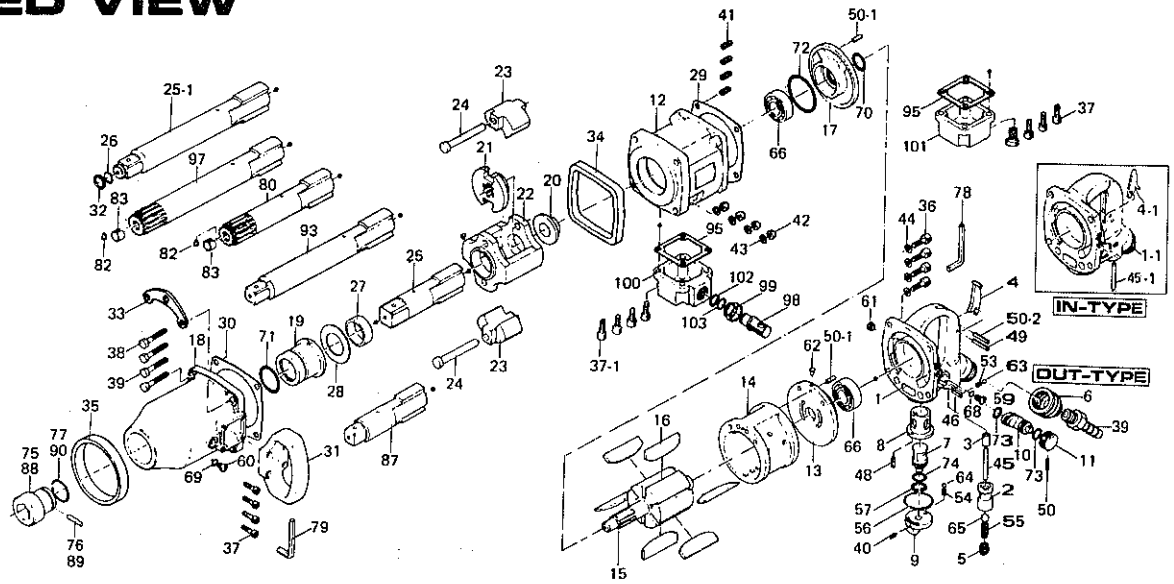


UW-401 & 401L IMPACT WRENCHES

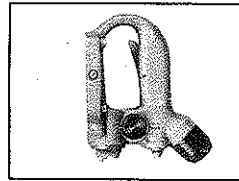
EXPLODED VIEW



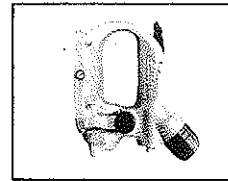
Hammer Casing Assembly
Code No. 111-007-1
Components
(#18,31,37,60,69)



Standard Universal Type Exhaust Deflector Assembly
Code No. 111-885-1
Components
(#37-1,95,98,99,100,102,103)



Handle Assembly (In)
Code No. 109-001-6
Components
(#1-1,2,3,4-1,5,6,7,8,9,40,45-1,46,48,49,50-2,53,54,55,56,57,59,61,64,65,68,73,74)



Handle Assembly (Out)
Code No. 109-001-1
Components
(#1,2,3,4,5,6,7,8,9,10,11,40,45,46,48,49,50,50-2,53,54,55,56,57,59,61,63,64,65,68,73,74)

Standard Exhaust Deflector Assembly Components are marked "△".
Handle Assembly (Outer Trigger) components are marked "O".
Handle Assembly (Inner Trigger) components are marked "X".
Hammer Casing Assembly components are marked "*".

PARTS LIST

Index No.	Code No.	Parts Name	Quantity	Index No.	Code No.	Parts Name	Quantity	Index No.	Code No.	Parts Name	Quantity
# 1	109-010-1	○ Handle (Outer Trigger)	1	# 33	109-794-1	Suspension Plate	1	# 69	990-004-0	* O-Ring (P6)	1
# 1-1	109-010-6	X Handle (Inner Trigger)	1	# 34	111-840-1	Casing Protector	1	# 70	990-013-0	O-Ring (P25)	1
# 2	093-102-1	XO Valve Bushing	1	# 35	111-841-1	Hammer Casing Protector	1	# 71	990-039-0	O-Ring (P40)	1
# 3	093-103-1	XO Valve Rod Bushing	1	# 36	945-325-0	Allen Head Bolt (M8x25)	4	# 72	990-510-0	O-Ring (G60)	1
# 4	109-107-1	○ Trottle Trigger (Out)	1	# 37	945-216-0	* Allen Head Bolt (M6x16)	8	# 73	990-211-0	XO O-Ring (JW1516-11)	2
# 4-1	091-107-6	X Trottle Trigger (In)	1	# 37-1	945-118-0	△ Allen Head Bolt (M5x18)	4	# 74	990-216-0	XO O-Ring (JW1516-16)	1
# 5	093-108-1	XO Valve plug	1	# 38	945-342-0	Allen Head Bolt (M8x45)	2	# 95	111-808-1	△ Exhaust Cover Packing	1
# 6	093-096-1	XO Air Inlet Bushing (W35xNPT 1/2)	1	# 39	945-344-0	Allen Head Bolt (M8x50)	2	# 98	111-780-2	△ Exhaust Stack	1
# 7	109-210-1	XO Reverse Valve	1	# 40	952-320-0	XO Allen Head Dog Point Screw (M6x20)	1	# 99	111-781-2	△ Exhaust Bushing	1
# 8	109-211-1	XO Reverse Valve Bushing	1	# 41	965-041-0	Heli-Sert (M8x1.5D)	4	# 100	111-021-1	△ Exhaust Cover	1
# 9	109-212-1	XO Reverse Lever	1	# 42	960-048-0	Hexagon Nut (1-M8)	4	# 102	978-186-0	△ Snap Ring (19x1.2)	1
# 10	109-240-1	○ Regulator Valve	1	# 43	962-011-0	Spring Washer (2-8S)	2	# 103	990-017-0	△ O-Ring (P18)	1
# 11	109-242-1	Regulator Dial	1	# 44	961-014-0	Frat Washer (8)	2	Standard Accessories			
# 12	111-025-2	Casing	1	# 45	970-580-0	XO Pin (H) (6x80)	1	# 39	940-126-0	Air Hose Nipple (NPT1/2x1/2)	1
# 13	109-285-1	Rear Plate	1	# 45-1	970-564-0	X Pin (H) (6x63.5)	1	# 78	939-007-0	Allen Wrench (6)	1
# 14	109-286-1	Cylinder	1	# 46	971-110-0	XO Pin (2x10)	1	# 79	939-104-0	Allen Wrench (5)	1
# 15	111-287-1	Rotor	1	# 48	973-210-0	XO Roll Pin (4x10)	1	Optional Accessories			
# 16	111-288-1	Blade (White)	6	# 49	973-225-0	XO Roll Pin (4x25)	1	# 75	900-610-0	Hexagon Socket (58x83; 1 1/4 SQ)	1
# 17	109-289-1	Front Plate	1	# 50	973-124-0	○ Roll Pin (3x24)	1	# 76	971-995-0	Pin 5x57	1
# 18	111-028-1	* Hammer Casing	1	# 50-1	973-316-0	Roll Pin (5x16)	2	# 77	990-295-0	O-Ring (JW33)	1
# 19	109-328-1	Anvil Bushing	1	# 50-2	973-220-0	XO Roll Pin (4x20)	1	# 88	900-519-0	Hexagon Socket (50x75; 1SQ)	1
# 20	111-310-1	Anvil Rear Spacer	1	# 53	976-032-0	XO Spring 3.6x13 (0.5)	1	# 89	971-994-0	Pin 5x47	1
# 21	111-311-1	Hammer Cam	1	# 54	976-113-0	XO Spring 6x16 (0.71)	1	# 90	990-294-0	O-Ring (JW30)	1
# 22	109-312-1	Hammer Cage	1	# 55	976-211-0	XO Spring 9x33 (0.89)	1	# 101	113-021-1	Exhaust Deflector	1
# 23	109-313-2	Hammer	2	# 56	978-470-0	XO Snap Ring 47x1.6	1	Optional Anvils			
# 24	109-317-1	Hammer Pin	2	# 57	979-019-0	XO Inner Snap Ring (26)	1	# 80	169-322-2	Anvil (Spline)	1
# 25	109-319-2	Anvil (1 1/4)	1	# 59	966-006-0	XO Round Head Plug (M6)	1	# 87	106-319-2	Anvil (1)	1
# 25-1	891-038-1	Extended Anvil (WR)	1	# 60	966-010-0	* Hexagon Head Plug (M8)	1	# 93	110-323-2	Extended Anvil	1
# 26	990-213-0	O-Ring (JW1516-13)	1	# 61	966-100-0	XO Allen Head Plug (1/8)	1	# 97	170-325-2	Extended Anvil (Spline)	1
# 27	109-326-1	Hammer Cage Bushing	1	# 62	980-009-0	Round Head Notch (4)	1	# 82	169-800-1	Socket Retainer Pin	1
# 28	109-327-1	Anvil Front Spacer	1	# 63	981-003-0	○ Steel Ball (5/32)	1	# 83	169-803-1	Socket Retainer Spring	1
# 29	111-850-1	Rear Packing	1	# 64	981-006-0	XO Steel Ball (1/4)	1				
# 30	109-857-1	Front Packing	1	# 65	981-214-0	XO Ball (1/2)	1				
# 31	093-721-1	* Dead Handle	1	# 66	982-205-0	Ball Bearing (6205)	2				
# 32	891-010-1	Snap Ring	1	# 68	990-003-0	XO O-Ring (P5)	1				

When ordering spare parts, please specify tool type, code numbers and parts names.

Printed in Japan



URYU SEISAKU, LTD. Osaka, Japan