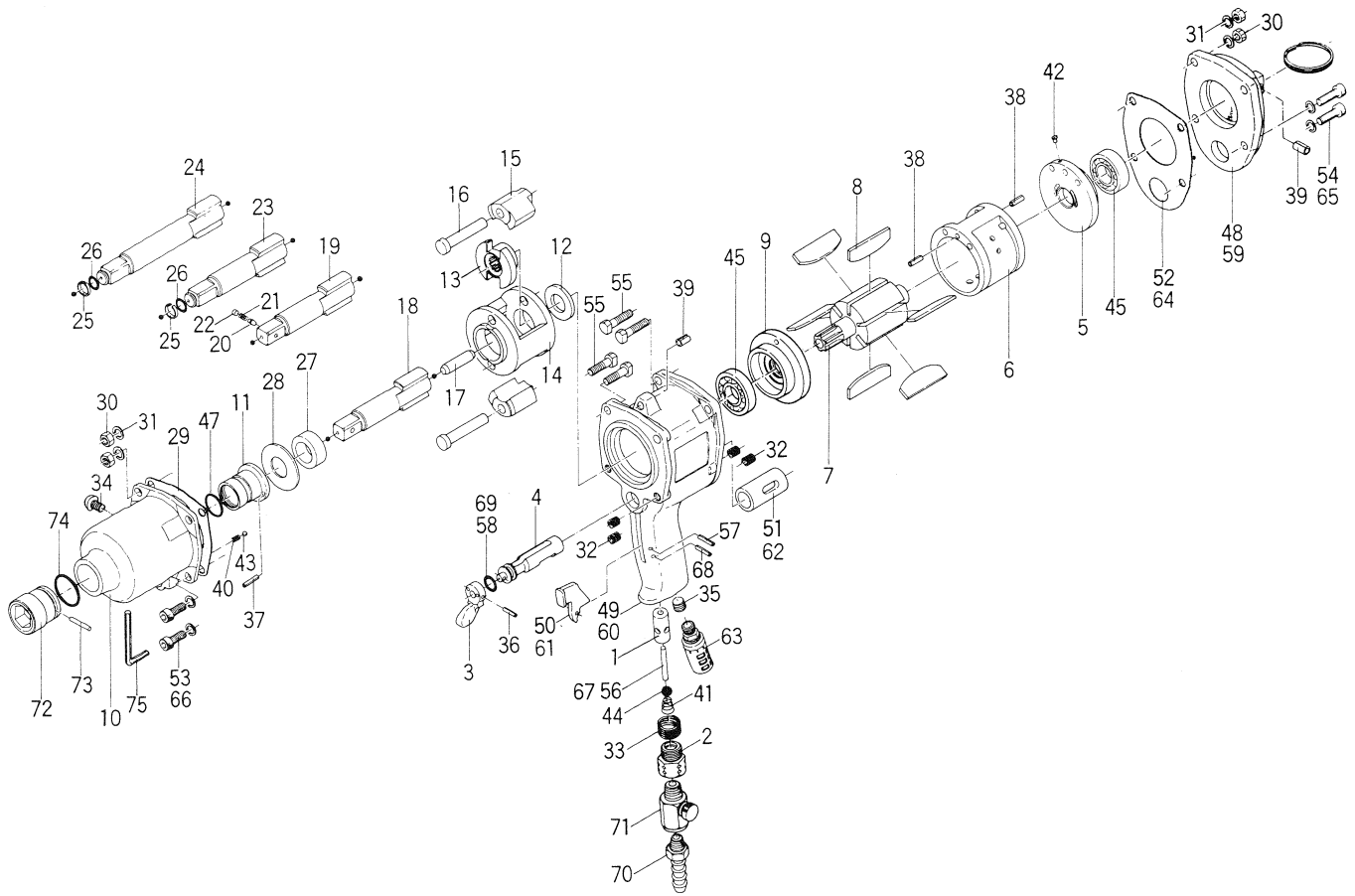


UW-13SK & 13SRK IMPACT WRENCHES

EXPLODED VIEW



PARTS LIST

Index No.	Code No.	Parts Name	Quantity	Index No.	Code No.	Parts Name	Quantity	Index No.	Code No.	Parts Name	Quantity
# 1	063-102-1	Valve Bushing	1	# 29	063-857-1	Hammer Casing Packing	1	# 55	947-226-0	Half Head Bolt (M6×26)	4
# 2	185-091-7	Air Inlet Bushing	1	# 30	960-040-0	Hexagon Nut (1-M6)	4	# 56	970-332-0	Pin (H) (4×32)	1
# 3	041-212-2	Reverse Lever	1	# 31	961-013-0	Flat Washer(6mm)	4	# 57	973-116-0	Roll Pin (3×16)	2
# 4	063-211-1	Reverse Valve Bushing	1	# 32	965-021-0	Heli-Sert (M6×1.5D)	4	# 58	990-208-0	O-Ring (JW1516-8)	1
# 5	063-285-7	Rear Plate	1	# 33	965-073-0	Heli-Sert (UNF5/8×N6)	1	Parts for UW-13SRK			
# 6	063-286-7	Cylinder	1	# 34	945-962-0	Hexagon Round Head Bolt (M6×6)	1	# 59	071-012-6	Head Cover	1
# 7	063-287-1	Rotor	1	# 35	966-100-0	Allen Head Plug (1/8)	1	# 60	063-025-5	Handle	1
# 8	063-288-1	Blade	6	# 36	973-014-0	Roll Pin (2×14)	1	# 61	026-107-7	Throttle Trigger	1
# 9	063-289-7	Front Plate	1	# 37	973-110-0	Roll Pin (3×10)	1	# 62	063-210-4	Reverse Valve	1
# 10	063-028-7	Hammer Casing	1	# 38	973-212-0	Roll Pin (4×12)	2	# 63	031-885-7	Silencer Assembly	1
# 11	063-328-1	Anvil Bushing	1	# 39	973-340-0	Roll Pin (6×10)	2	# 64	071-853-1	Rear Packing	1
# 12	076-310-1	Anvil Rear Spacer	1	# 40	976-032-0	Spring (3.6×13×0.5)	1	# 65	945-963-0	Hexagon Round Head Bolt (M6×16)	4
# 13	063-311-1	Hammer Cam	1	# 41	977-220-0	Cone Spring (9×10×25)	1	# 66	945-216-0	Allen Head Bolt (M6×16)	4
# 14	063-312-1	Hammer Cage	1	# 42	980-008-0	Round Head Notch (2.4)	1	# 67	970-331-0	Pin (H) (4×31)	1
# 15	063-313-1	Hammer	2	# 43	981-003-0	Ball (5/32)	1	# 68	973-120-0	Roll Pin (3×20)	2
# 16	063-317-1	Hammer Pin	2	# 44	981-210-0	Ball (3/8) Black	1	# 69	990-009-0	O-Ring (P10A)	1
# 17	063-318-1	Pilot Pin	1	# 45	982-404-0	Ball Bearing (EE-5)	2	Accessories			
# 18	063-319-1	Anvil (O)	1	# 47	993-035-0	Felt Ring (18×23×2)	1	# 70	940-114-0	Air Hose Nipple (NPT1/4×3/8)	1
# 19	161-319-1	Anvil (P)	1	Parts for UW-13SK				# 71	932-110-0	Air Regulator (U1/4)	1
# 20	153-800-2	Socket Retainer Pin	1	# 48	063-012-1	Head Cover	1	# 72	900-187-0	Hexagon Socket (10×19)	1
# 21	976-034-0	Spring (3.6×11)	1	# 49	063-025-2	Handle	1	# 73	971-991-0	Pin (3.2×24)	1
# 22	971-302-0	Pin (4×2)	1	# 50	018-107-2	Throttle Trigger	1	# 74	990-291-0	O-Ring (JW17)	1
# 23	891-023-1	Anvil (WR)	1	# 51	063-210-1	Reverse Valve	1	# 75	939-105-0	Allen Wrench (4mm)	1
# 24	891-024-1	Extended Anvil (WR)	1	# 52	063-853-1	Rear Packing	1				
# 25	891-004-1	Snap Ring	1	# 53	945-216-0	Allen Head Bolt (M6×16)	2				
# 26	990-205-0	O-Ring (JW1516-5)	1	# 54	945-218-0	Allen Head Bolt (M6×18)	2				
# 27	063-326-1	Hammer Cage Bushing	1								
# 28	063-327-1	Anvil Front Spacer	1								

When ordering spare parts, please specify tool type, code numbers and parts names.

Printed in Japan



URYU SEISAKU, LTD.

Osaka, Japan

OKA-430-02-04-15-2004