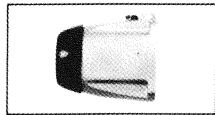
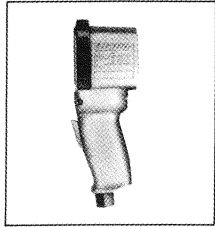


UW-131EK & UW-131ERK IMPACT WRENCHES



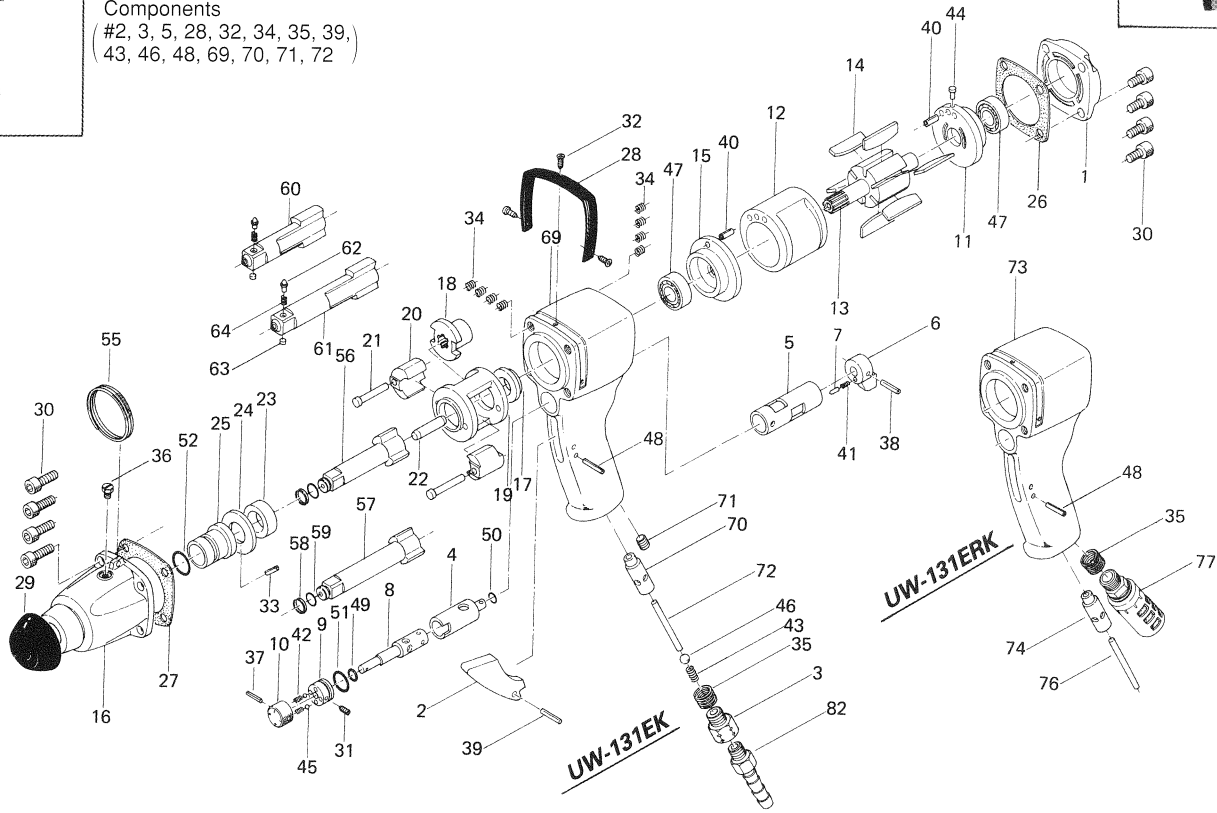
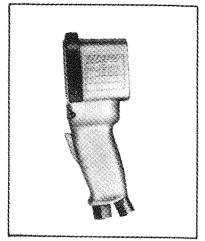
Hammer Casing Assembly
Code No.071-007-7
Components
(#16, 25, 29, 33, 36, 52)



UW-131EK Handle Assembly
Code No.071-984-8
Components
(#2, 3, 5, 28, 32, 34, 35, 39, 43, 46, 48, 69, 70, 71, 72)

EXPLODED VIEW

UW-131ERK Handle Assembly
Code No.067-984-1
Components
(#2, 3, 5, 28, 32, 34, 35, 39, 43, 46, 48, 73, 74, 76, 77)



Hammer Casing Assembly components are marked with "○".
Handle Assembly components for UW-131EK are marked with "×".
Handle Assembly components for UW-131ERK are marked with "△".
Parts marked with "*" are at User's option.

PARTS LIST

Index No.	Code No.	Parts Name	Quantity	Index No.	Code No.	Parts Name	Quantity	Index No.	Code No.	Parts Name	Quantity
COMMON PARTS											
# 1	071-012-1	Head Cover	1	#27	071-857-1	Front Packing	1	#55	004-790-1	Suspension Ring	1
# 2	085-107-1	×△ Throttle Trigger	1	#28	071-840-1	×△ Handle Protector	1	#56	891-023-1	* Anvil (WR)	1
# 3	185-091-7	×△ Air Inlet Bushing	1	#29	071-841-1	○ Hammer Casing Protector	1	#57	891-024-1	* Extended Anvil (WR)	1
# 4	054-210-1	Reverse Valve	1	#30	945-216-0	Allen Head Bolt (M6×16)	8	#58	891-004-1	Snap Ring	1
# 5	054-211-1	×△ Reverse Valve Bushing	1	#31	952-212-0	Allen Head Dog Point Screw (M5×12)	1	#59	990-205-0	O-Ring (JW1516-5)	1
# 6	054-212-1	Reverse Lever	1	#32	963-350-0	×△ Tapping Screw (M4×8)	3	#60	161-319-1	* Anvil (P)	1
# 7	054-220-1	Reverse Lever Notch	1	#33	973-110-0	○ Roll Pin (3×10)	1	#61	852-017-1	* Extended Anvil (P)	1
# 8	054-240-1	Regulator Valve	1	#34	965-021-0	×△ Heli-Sert (M6×1.5D)	8	#62	153-800-2	Socket Retainer Pin (Flat)	1
# 9	054-241-1	Regulator Valve Bushing	1	#35	965-073-0	×△ Heli-Sert (UNF5/8) (N6)	1	#63	971-302-0	Pin (4×2)	1
#10	054-242-1	Regulator Dial	1	#36	945-962-0	○ Hexagon Round Head Bolt (M6×6)	1	#64	976-034-0	Spring (3.6×11)	1
#11	063-285-7	Rear Plate	1	#37	973-016-0	Roll Pin (2×16)	1	PARTS FOR UW-131EK			
#12	063-286-7	Cylinder	1	#38	973-020-0	Roll Pin (2×20)	1	#69	071-025-8	× Handle	1
#13	063-287-1	Rotor	1	#39	973-118-0	×△ Roll Pin (3×18)	1	#70	054-102-1	× Valve Bushing	1
#14	063-288-1	Blade	6	#40	973-212-0	Roll Pin (4×12)	2	#71	966-100-0	× Allen Head Plug (1/8)	1
#15	063-289-7	Front Plate	1	#41	976-018-0	Spring (2.8×8.5)	1	#72	970-339-0	× Pin (H) (4×39)	1
#16	071-028-1	○ Hammer Casing	1	#42	976-066-0	Spring (4.6×9)	2	PARTS FOR UW-131ERK			
#17	076-310-1	Anvil Rear Spacer	1	#43	977-220-0	×△ Cone Spring (9×10×25)	1	#73	067-025-2	△ Handle	1
#18	063-311-1	Hammer Cam	1	#44	980-008-0	Round Head Notch (2.4)	1	#74	063-102-1	× Valve Bushing	1
#19	063-312-1	Hammer Cage	1	#45	981-004-0	Ball (3/16)	2	#76	970-333-0	△ Pin (H) (4×33)	1
#20	063-313-1	Hammer	2	#46	981-210-0	×△ Ball (3/8)	1	#77	031-885-7	△ Silencer	1
#21	063-317-1	Hammer Pin	2	#47	982-404-0	Ball Bearing (EE-5)	2	ACCESSORIES			
#22	063-318-1	Pilot Pin	1	#48	973-120-0	×△ Roll Pin (3×20)	1	#82	940-114-0	Air Hose Nipple (NPT1/4×3/8)	1
#23	063-326-1	Hammer Cage Bushing	1	#49	990-004-0	O-Ring (P-6)	1				
#24	063-327-1	Anvil Front Spacer	1	#50	990-006-0	O-Ring (P-8)	1				
#25	063-328-1	○ Anvil Bushing	1	#51	990-009-0	O-Ring (P10A)	1				
#26	071-853-1	Rear Packing	1	#52	993-035-0	○ Felt Ring (18×23×2)	1				

When ordering spare parts, please specify tool type, code number and parts name.

Printed in Japan



URYU SEISAKU, LTD. Osaka, Japan

For further information, please contact at any time your nearest URYU distributor.

OKA-056-07-06-29-1015