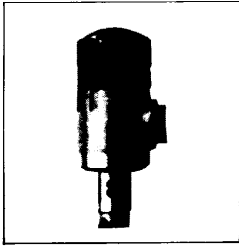
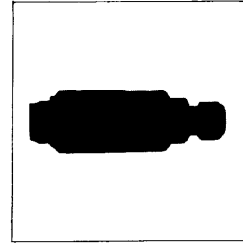


S-1 & S-1-3 Scaling Hammers

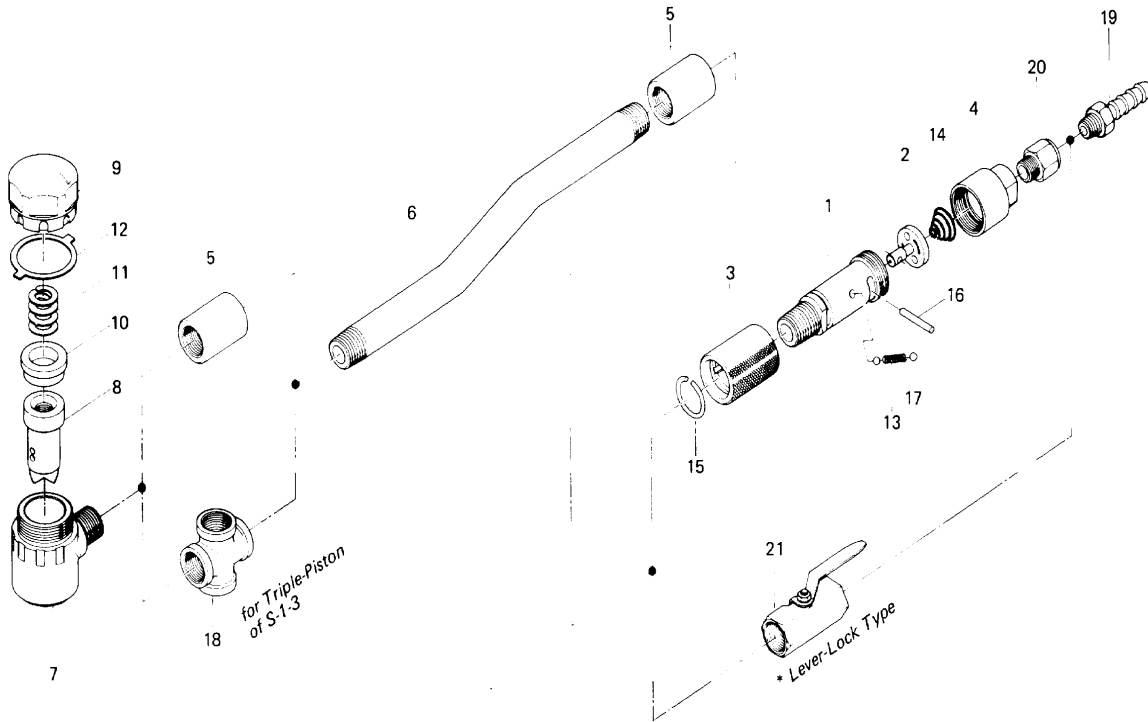
EXPLODED VIEW



CYLINDER ASSEMBLY
Code No. 759-800-1
Components
(#7, 8, 9, 10,
11, 12)



VALVE BODY ASSEMBLY
Code No. 759-003-1
Components
(#1, 2, 3, 4, 13,
14, 15, 16, 17)



PARTS LIST

* Suffix "L" to each model name as S-1 (L) when ordering.

Index No.	Code No.	Part Name	Quantity	Index No.	Code No.	Part Name	Quantity	Index No.	Code No.	Part Name	Quantity
# 1	759-014-1	Valve Body	1	# 11	759-569-1	Spring (12x24)	1	Standard Accessories			
# 2	525-100-1	Valve	1	# 12	759-571-1	Spacer	1	=19	940-124-0	Air Hose Nipple (NPT 3/8x1/2-7)	1
# 3	759-015-1	Valve Handle	1	# 13	976-052-0	Spring (4x21)	1	=20	942-123-0	Connecting Screw (3/8xNPT 3/8)	1
# 4	525-090-1	Air Inlet Bushing	1	# 14	977-165-0	Cone Spring (7x22x12)	1	Option			
# 5	759-079-1	Connector	2	# 15	978-275-0	Snap Ring (27x3.2)	1	#21	909-800-1	Throttle Handle (Lever)	1
# 6	759-740-1	Pipe	1	# 16	971-270-0	Pin (3.8x29)	1				
# 7	759-286-1	Cylinder	1	# 17	981-004-0	Steel Ball (3/16)	2				
# 8	759-546-1	Piston	1	For S-1-3							
# 9	759-018-1	Cap	1	# 18	925-150-0	Cross Elbow	1				
# 10	759-570-1	Spring Support	1								

When ordering spare parts, please specify tool type, code number and part name.

Printed in Japan

URYU SEISAKU, LTD. Osaka, Japan