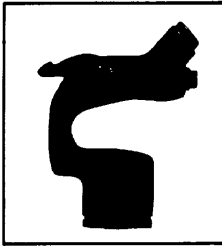


PB-SERIES CHIPPING HAMMERS



EXPLODED VIEW

Handle Assembly

Code 727-001-5

Components

(#1, 2, 3, 4, 5, 6, 19, 20, 21, 22, 23)

PB-30

PB-20

PARTS LIST

Handle Assembly components are marked with "o".

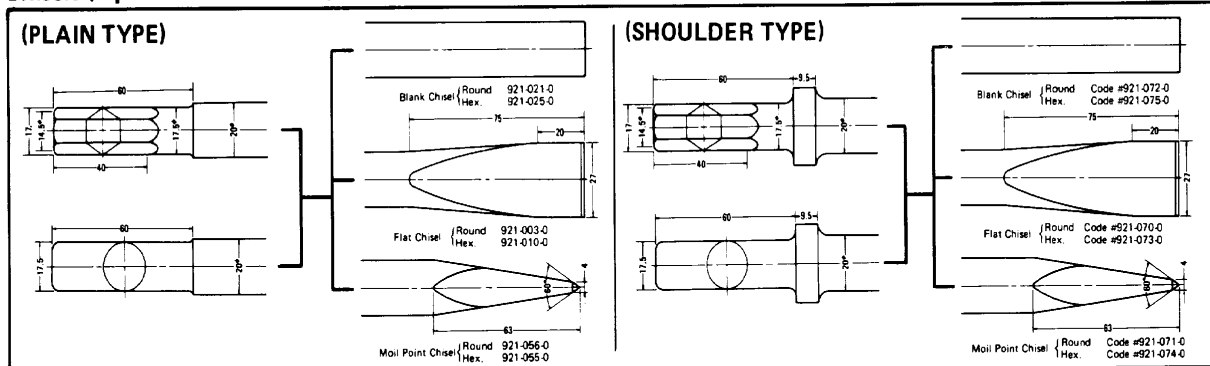
Index No.	Code No.	Parts Name	Quantity	Index No.	Code No.	Parts Name	Quantity	Index No.	Code No.	Parts Name	Quantity
# 1	727-010-5	o Handle	1	#12	727-546-5	Piston (PB-20 Type)	1	#23	990-005-0	o O-Ring (P7)	1
# 2	727-100-5	o Valve	1	#13	727-567-5	Bushing (R)	1	#24	981-004-0	Ball (3/16)	4
# 3	727-102-5	o Valve Bushing	1	#14	778-567-5	Bushing (H)	1	#25	727-091-5	Air Inlet Bushing	1
# 4	727-103-5	o Valve Rod Bushing	1	#15	990-046-0	O-Ring (P50)	1	#26	728-286-5	Cylinder (PB-30 Type)	1
# 5	727-108-5	o Valve Plug	1	#16	727-761-5	Notch Pin	2	#27	728-546-5	Piston (PB-30 Type)	1
# 6	727-107-5	o Throttle Trigger	1	#17	727-562-5	Lock Sleeve	1	Accessories			
# 7	727-195-5	Main Valve	1	#18	727-782-5	Exhaust Deflector	1	#28	940-124-0	Air Hose Nipple (NPT3/8 x 1/2 - 7)	1
# 8	727-198-5	Rear Valve Seat	1	#19	727-104-5	o Valve Rod	1				
# 9	727-199-5	Medium Valve Seat	1	#20	973-323-0	o Roll Pin (5 x 25)	1				
#10	727-200-5	Front Valve Seat	1	#21	973-345-0	o Roll Pin (6 x 20)	1				
#11	727-286-5	Cylinder (PB-20 Type)	1	#22	976-277-0	o Spring (6.7 x 34)	1				

SPECIFICATIONS

RECOMMENDED AIR PRESSURE: 85psi (6kg/cm²)

Model	Blows per minute (about)	Overall Length (about)		Weight (about)		Piston (Dia. x Stroke)		Air Inlet Thread (Pipe Tap)		Air Hose Size		Average Air Consumption (about)	
		in	mm	lb	kg	in	mm	in	mm	ft ³ /min	m ³ /min		
PB-20 ^(R) _(H)	1,900	13 ³² / ₂₅	350	14.5	6.6	1 ¹ / ₈ x3	28.5x76	N.P.T. ³ / ₈	¹ / ₂	12.7	2.8	0.8	
PB-30 ^(R) _(H)	1,500	15 ⁵ / ₈	397	15.6	7.1	1 ¹ / ₈ x4	28.5x102	N.P.T. ³ / ₈	¹ / ₂	12.7	2.8	0.8	

Chisels (Optional Accessories)



Distributed by:

Printed in Japan

URYU SEISAKU, LTD.

Claims must be filed only with distributors within ten (10) days from delivery.