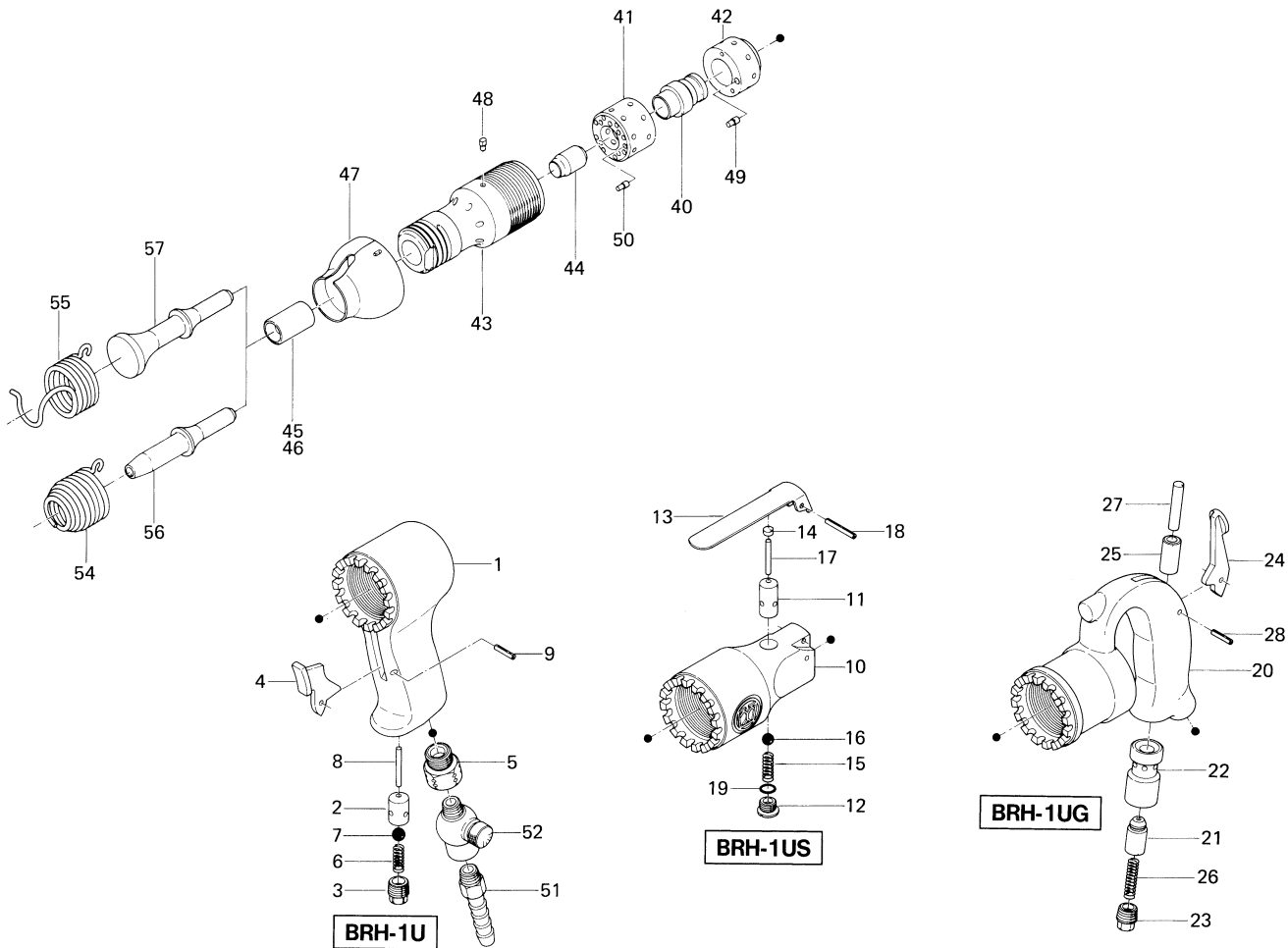


BRH-1U·1US·1UG, BABY RIVETING HAMMERS

EXPLODED VIEW



PARTS LIST

| Index No. | Code No. | Part Name | Quantity | Index No. | Code No. | Part Name | Quantity | Index No. | Code No. | Part Name | Quantity | |
|---------------------------------------|-----------|-------------------|----------|---------------------------------------|-----------|------------------------|----------|----------------------|-----------|---|----------|--|
| 705-002-1 Handle Assembly for BRH-1U | | | | 707-001-1 Handle Assembly for BRH-1UG | | | | Standard Accessories | | | | |
| # 1 | 705-011-2 | Handle | 1 | # 20 | 707-010-2 | Handle | 1 | # 51 | 940-116-0 | Air Hose Nipple (NPT1/4x3/8) | 1 | |
| # 2 | 705-102-1 | Valve Bushing | 1 | # 21 | 719-100-1 | Valve | 1 | # 52 | 932-110-0 | Air Regulator (U1/4) | 1 | |
| # 3 | 719-108-1 | Valve Plug | 1 | # 22 | 719-102-1 | Valve Bushing | 1 | # 53 | 942-114-0 | Connecting Screw (1/4xNPT1/4) for BRH-1UG | 1 | |
| # 4 | 705-107-1 | Throttle Trigger | 1 | # 23 | 719-108-1 | Valve Plug | 1 | # 54 | 705-810-1 | Retainer Spring (Small) | 1 | |
| # 5 | 185-091-7 | Air Inlet Bushing | 1 | # 24 | 707-107-1 | Throttle Trigger | 1 | # 55 | 705-813-1 | Retainer Spring (Flat) | 1 | |
| # 6 | 976-129-0 | Spring (6.5x21) | 1 | # 25 | 093-103-1 | Valve Rod Bushing | 1 | # 56 | 920-021-1 | Round Head Rivet Set (3.0) | 1 | |
| # 7 | 981-207-0 | Steel Ball (9/32) | 1 | # 26 | 976-116-0 | Spring (6x32) | 1 | # 57 | 920-800-0 | Flat Head Rivert Set (Large) | 1 | |
| # 8 | 970-228-0 | Pin (H) (3 x 28) | 1 | # 27 | 970-532-0 | Pin (H) (6x32) | 1 | | | | | |
| # 9 | 973-116-0 | Roll Pin (3x16) | 1 | # 28 | 973-116-0 | Roll Pin (3x16) | 1 | | | | | |
| 706-002-1 Handle Assembly for BRH-1US | | | | BRH-1 Series Common Parts | | | | | | | | |
| # 10 | 706-011-2 | Handle | 1 | # 40 | 705-195-1 | Main Valve | 1 | | | | | |
| # 11 | 705-102-1 | Valve Bushing | 1 | # 41 | 705-196-1 | Valve Box | 1 | | | | | |
| # 12 | 601-108-1 | Valve Plug | 1 | # 42 | 705-197-1 | Valve Box Cover | 1 | | | | | |
| # 13 | 418-107-1 | Valve Lever | 1 | # 43 | 705-286-1 | Cylinder | 1 | | | | | |
| # 5 | 185-091-7 | Air Inlet Bushing | 1 | # 44 | 705-546-1 | Piston | 1 | | | | | |
| # 14 | 706-106-1 | Valve Rod Cap | 1 | # 45 | 705-567-1 | Bushing (R) | 1 | | | | | |
| # 15 | 976-114-0 | Spring (6x18) | 1 | # 46 | 786-567-1 | Bushing (H) | 1 | | | | | |
| # 16 | 981-207-0 | Steel Ball (9/32) | 1 | # 47 | 705-782-1 | Exhaust Deflector | 1 | | | | | |
| # 17 | 970-226-0 | Pin (H) (3x26) | 1 | # 48 | 980-010-0 | Flat Head Notch (3) | 1 | | | | | |
| # 18 | 973-124-0 | Roll Pin (3x24) | 1 | # 49 | 980-006-0 | Round Head Notch (3) | 1 | | | | | |
| # 19 | 990-904-0 | O-Ring (SNS-6) | 1 | # 50 | 980-005-0 | Round Head Notch (2.5) | 1 | | | | | |

When ordering spare parts, please Specify tool type, code number and parts name.

Printed in Japan



URYU SEISAKU, LTD. Osaka, Japan

For further information, please contact at any time your nearest URYU distributor.

OKA-237-07-06-01-2006