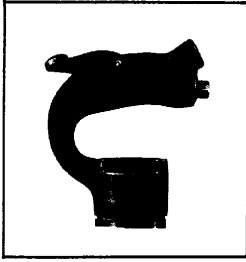
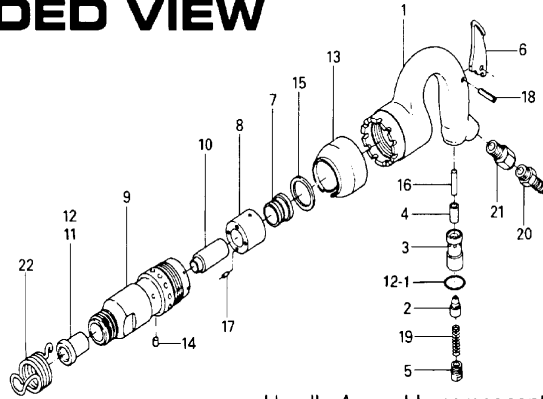


# AA-SERIES CHIPPING HAMMERS



**Handle Assembly**  
Code 719-001-5  
Components  
(#1, 2, 3, 4, 5, 6, 16, 18, 19)

## EXPLODED VIEW AA-00

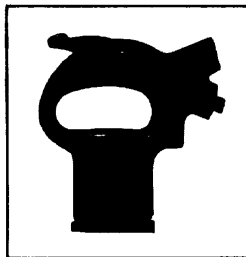


### PARTS LIST

Index No.	Code No.	Parts Name	Quantity	Index No.	Code No.	Parts Name	Quantity
# 1	719-010-5	○ Handle	1	#13	719-782-5	Exhaust Deflector	1
# 2	722-100-5	○ Valve	1	#14	719-565-5	Lock Sleeve Key	1
# 3	719-102-5	○ Valve Bushing	1	#15	719-872-5	○ Valve Packing	1
# 4	719-103-5	○ Valve Rod Bushing	1	#16	975-525-0	Pin (H) (6X24.5)	1
# 5	722-108-5	○ Valve Plug	1	#17	719-761-5	○ Notch Pin	1
# 6	719-107-5	○ Throttle Trigger	1	#18	973-320-0	Roll Pin (5x20)	1
# 7	719-195-5	Main Valve	1	#19	976-277-0	○ Spring (6.7x34)	1
# 8	719-196-5	Valve Box	1	<b>Accessories</b>			
# 9	719-286-5	Cylinder	1	#20	940-114-0	Air Hose Nipple (NPT1/4x3/8)	1
#10	719-546-5	Piston	1	#21	942-114-0	Connecting Screw (1/4xNPT1/4)	1
#11	719-567-5	Bushing (R)	1	#22	705-813-1	Spring Chisel Retainer	1
#12	722-567-5	Bushing (H)	1				
#12-1	990-005-0	O-Ring (P7)	1				

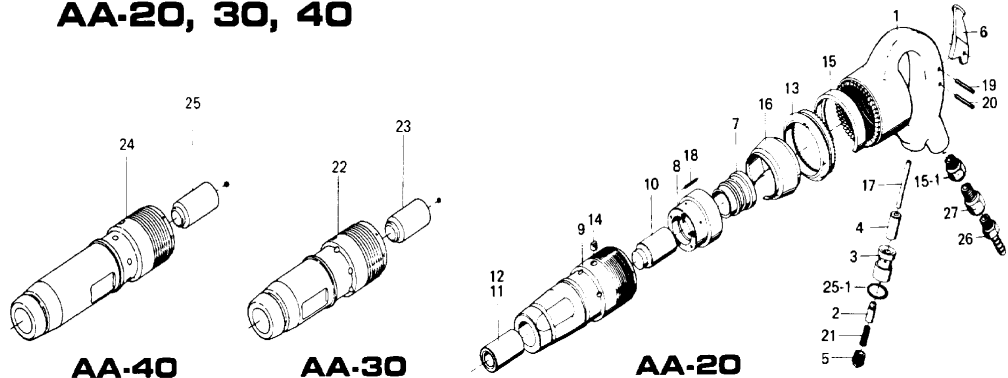
Handle Assembly components are marked with "○"

When ordering spare parts, please specify tool type, code number and part name.



**Handle Assembly**  
Code 722-001-5  
Components  
(#1, 2, 3, 4, 5, 6, 17, 19, 20, 21)

## EXPLODED VIEW AA-20, 30, 40



### PARTS LIST

Index No.	Code No.	Parts Name	Quantity	Index No.	Code No.	Parts Name	Quantity
# 1	722-010-5	○ Handle	1	#16	722-782-5	○ Exhaust Deflector	1
# 2	722-100-5	○ Valve	1	#17	722-104-5	Valve Rod	1
# 3	722-102-5	○ Valve Bushing	1	#18	722-761-5	○ Notch Pin	1
# 4	722-103-5	○ Valve Rod Bushing	1	#19	973-320-0	○ Roll Pin (5x20)	1
# 5	722-108-5	○ Valve Plug	1	#20	973-321-0	○ Roll Pin (5x22)	1
# 6	722-107-5	○ Throttle Trigger	1	#21	976-277-0	Spring (6.7x34)	1
# 7	722-195-5	Main Valve	1	#22	722-286-5	Cylinder (AA-30 Type)	1
# 8	722-196-5	Valve Box	1	#23	722-546-5	Piston (AA-30 Type)	1
# 9	721-286-5	Cylinder (AA-20 Type)	1	#24	723-286-5	Cylinder (AA-40 Type)	1
#10	721-546-5	Piston (AA-20 Type)	1	#25	723-546-5	Piston (AA-40 Type)	1
#11	722-567-5	Bushing (R)	1	#25-1	990-005-0	O-Ring (P7)	1
#12	725-567-5	Bushing (H)	1	<b>Accessories</b>			
#13	722-562-5	Lock Sleeve	1	#26	940-124-0	Air Hose Nipple (NPT3/8x1/2)	1
#14	722-565-5	Lock Sleeve Key	1	#27	942-123-0	Connecting Screw (3/8xNPT3/8)	1
#15	722-564-5	Lock Sleeve Cover	1				
#15-1	727-091-5	Air Inlet Bushing	1				

Handle Assembly components are marked with "○"

Distributed by:

**URYU SEISAKU, LTD.**

Claims must be filed only with distributors within ten(10)days from delivery.