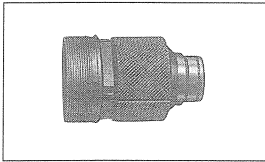
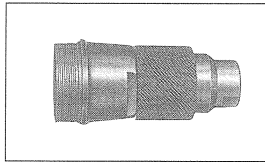


USG-4, 4S ANGLE GRINDERS

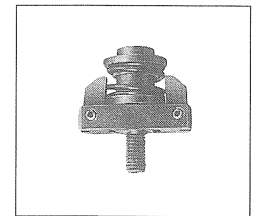
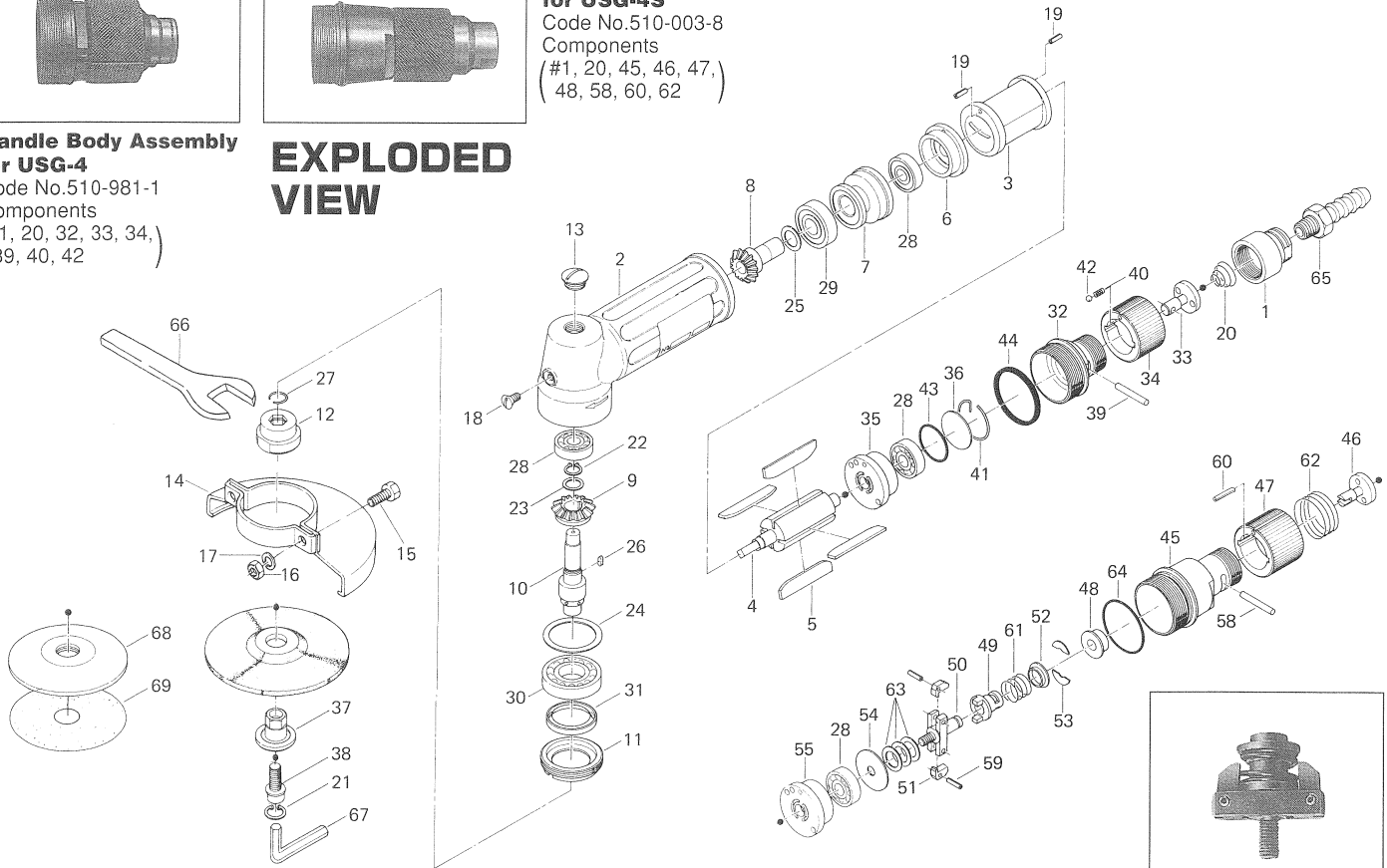


Handle Body Assembly for USG-4
Code No.510-981-1
Components
(#1, 20, 32, 33, 34, 39, 40, 42)



Handle Body Assembly for USG-4S
Code No.510-003-8
Components
(#1, 20, 45, 46, 47, 48, 58, 60, 62)

EXPLODED VIEW



Governor Cage Assembly for USG-4S
Code No.510-893-7
Components
(#49, 50, 51, 52, 53, 59, 61, 63)

PARTS LIST

Index No.	Code No.	Parts Name	Quantity	Index No.	Code No.	Parts Name	Quantity	Index No.	Code No.	Parts Name	Quantity
USG-4, 4S Common Parts											
# 1	509-091-1	○ × Air Inlet Bushing	1	#26	974-005-0	Key (3×6)	1	#46	510-100-7	× Valve	1
# 2	554-025-1	Casing	1	#27	978-170-0	Snap Ring (17×1.0)	1	#47	510-015-8	× Valve Handle	1
# 3	510-286-1	Cylinder	1	#28	982-024-0	Ball Bearing (629)	3	#48	510-735-7	× Handle Body Bushing	1
# 4	510-287-7	Rotor	1	#29	982-241-0	Ball Bearing (6201Z)	1	#49	510-170-8	△ Governor Valve	1
# 5	510-288-1	Blade	4	#30	982-243-0	Ball Bearing (6203Z)	1	#50	510-181-8	△ Governor Cage	1
# 6	510-289-1	Front Plate	1	#31	993-041-0	Felt Ring (26×34×3)	1	#51	510-183-8	△ Governor Weight	2
# 8	554-420-2	Driving Gear	1	#37	554-394-1	Wheel Nut Flange	1	#52	510-189-8	△ Governor Spring Cap	1
# 9	554-430-2	Driven Gear	1	#38	945-990-0	Hexagon Socket Flange Head Bolt (M8×18)	1	#53	510-190-7	△ Governor Spring Cap Snap	2
#10	554-390-1	Wheel Spindle	1	Parts for USG-4				#54	510-291-8	Rear Plate Spacer	1
#11	554-065-1	Casing Front Cover	1	# 7	510-295-1	Cylinder Setter	1	#55	510-285-7	Rear Plate	1
#12	554-393-6	Wheel Holder Flange	1	#32	510-014-1	○ Handle Body	1	#58	971-271-0	× Pin (3.8×30)	1
#13	554-013-1	Casing Rear Cover	1	#33	510-100-1	○ Valve	1	#59	973-112-0	△ Roll Pin (3×12)	2
#14	554-770-1	Wheel Guard	1	#34	510-015-1	○ Valve Handle	1	#60	970-208-0	× Pin (H)(3×10)	1
#15	946-900-0	Hexagon Head Bolt (M5×18)	1	#35	510-285-2	Rear Plate	1	#61	976-406-0	△ Spring (16.5×12)	1
#16	960-037-0	Hexagon Nut (1-M5)	1	#36	510-291-1	Rear Plate Spacer	1	#62	976-980-0	× Spring (30×12)	1
#17	962-008-0	Spring Washer (2-5S)	1	#39	971-271-0	○ Pin (3.8×30)	1	#63	975-754-0	△ Adjusting Spacer (17×12.5×T)	3
#18	949-208-0	Oval Flush Head Screw (M5×8)	1	#40	976-027-0	○ Spring (3×11)	1	#64	990-929-0	O-Ring (SNS36)	1
#19	973-110-0	Roll Pin (3×10)	2	#41	978-310-0	Snap Ring (31×1.2)	1	Standard Accessories			
#20	977-080-0	○ × Cone Spring (7×18×10)	1	#42	981-003-0	○ Ball (5/32)	1	#65	940-114-0	Air Hose Nipple (NPT1/4×3/8)	1
#21	979-314-0	Inner Snap Ring (IRTW-14)	1	#43	990-920-0	O-Ring (SNS-25)	1	#66	936-054-0	Spanner (29×4.76×150)	1
#22	979-352-0	Outer Snap Ring (11)	1	#44	992-007-0	D-Ring (37×2)	1	#67	939-007-0	Allen Wrench (6)	1
#23	975-061-0	Spacer (15×11×12)	1	Parts for USG-4S				Optional Accessories			
#24	975-304-0	Spacer (40×32×1)	1	# 7	554-295-1	Cylinder Setter	1	#68	554-406-1	Rubber Pad	1
#25	975-757-0	Adjusting Spacer (18×13×T)	1	#45	510-014-8	× Handle Body	1				

When ordering spare parts, please specify tool type, code numbers and parts names.

Printed in Japan



URYU SEISAKU, LTD. Osaka, Japan

For further information, please contact at any time your nearest URYU distributor.

OKA-163-07-06-20-1012