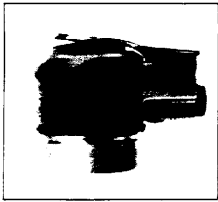
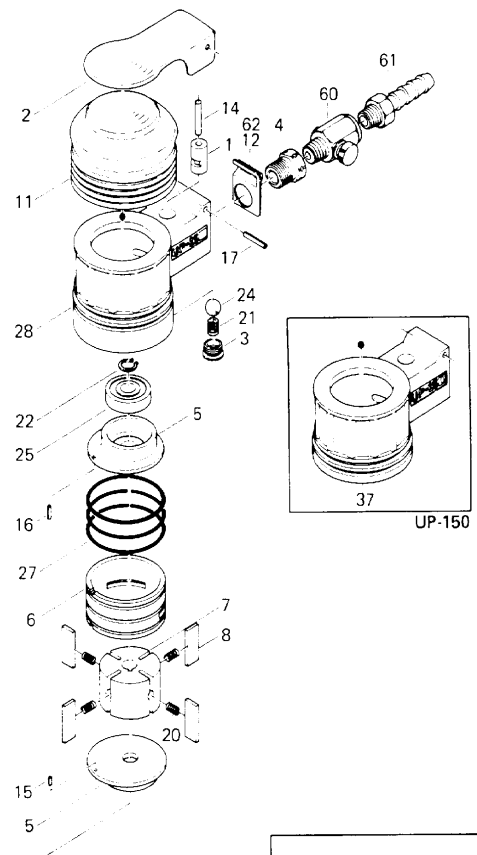
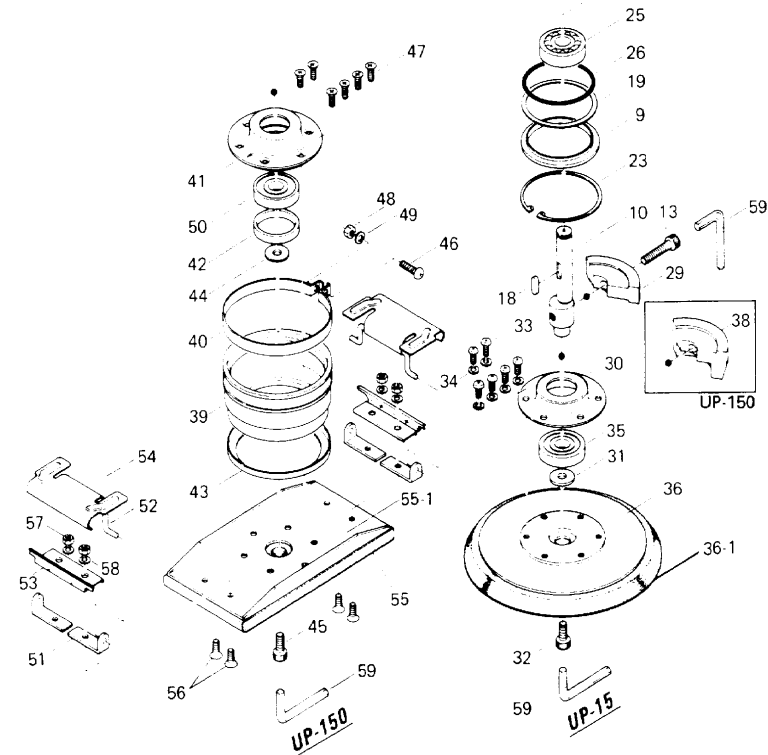


# UP-15, 150 ORBITAL SANDERS

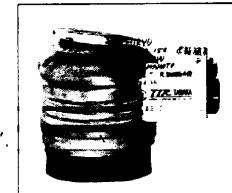
## EXPLODED VIEW



Casing Assembly for UP-15  
Code No. 538-004-1  
Components marked with "o".  
(#1, 2, 3, 4, 11, 12, 14, 17,  
21, 24, 28)



Casing Assembly for UP-150  
Code No. 560-004-1  
Components marked with "x".  
(#1, 2, 3, 4, 11, 12, 14, 17,  
21, 24, 37)



## PARTS LIST

Index No.	Code No.	Part Name	Quantity	Index No.	Code No.	Part Name	Quantity	Index No.	Code No.	Part Name	Quantity
<b>UP-15, 150 Common Parts</b>				#26	990-042-0	O-Ring (P45)	1	#47	957-319-0	(M4x14) Cross Flush Head Screw	1
#1	538-102-1	o Valve Bushing	1	#27	990-937-0	O-Ring (SNS46)	3	#48	960-028-0	Hexagon Nut (1-M4)	1
#2	538-107-1	o Valve Lever	1	<b>Parts for UP-15</b>				#49	962-006-0	Spring Washer (2-4S)	1
#3	201-108-1	o Valve Plug	1	#28	538-025-1	o Casing	1	#50	982-285-0	Ball Bearing (6200VV)	1
#4	551-091-0	o Air Inlet Bushing	1	#29	538-515-1	Balancer	1	<b>650-409-1 Backing Pad Assembly</b>			
#5	538-284-1	Cylinder Plate	2	<b>538-409-1 Backing Pad Assembly (5")</b>				#51	560-344-1	Cam Holder	4
#6	538-286-1	Cylinder	1	#30	538-062-1	Anvil Holder Case	1	#52	560-374-1	Cam Spindle	2
#7	538-287-1	Rotor	1	#31	538-879-1	Pad Holder Flange	1	#53	560-402-1	Paper Holder Base	2
#8	538-288-1	Blade	4	#32	945-110-0	Allen Head Bolt (M5x10)	1	#54	560-668-1	Paper Holder	2
#9	538-296-1	Front Plate Spacer	1	#33	957-108-0	Cross Pan Head Screw (M4x8)	6	#55	560-415-1	Backing Pad	1
#10	538-297-1	Rotor Spindle	1	#34	962-006-0	Spring Washer (2-4S)	6	#55-1	560-875-1	Pad Plate	1
#11	538-840-1	o Casing Protector	1	#35	982-285-0	Ball Bearing (6200VV)	1	#56	957-321-0	Cross Flush Head Screw (M4x12)	1
#12	538-782-1	o Exhaust Deflector (R)	1	#36	538-875-1	Pad Plate	1	#57	960-028-0	Hexagon Nut (1-M4)	4
#13	945-125-0	Allen Head Bolt (M5x25)	1	#36-1	538-409-4	Backing Pad (5")	1	#58	962-006-0	Spring Washer (2-4S)	4
#14	970-327-0	o Pin (H) (4x26)	1	<b>Parts for UP-150</b>				<b>STANDARD ACCESSORIES</b>			
#15	971-105-0	Pin (2x5)	1	#37	560-025-1	x Casing	1	#59	939-105-0	Allen Wrench (4MM)	2
#16	971-110-0	Pin (2x10)	1	#38	560-515-1	Balancer	1	#60	932-110-0	Air Regulator (U1/4)	1
#17	973-120-0	o Roll Pin (3x20)	2	#39	560-459-1	Pad Brace Rubber	1	#61	940-113-0	Air Hose Nipple (NPT1/4x1/4)	1
#18	974-112-0	Key (4x12)	1	#40	560-670-1	Band	1	<b>OPTIONAL ACCESSORIES</b>			
#19	975-888-0	Adjusting Spacer (50.5x44.5x0.2)	1	#41	560-062-1	Anvil Holder Case	1	#62	873-510-1	Exhaust Deflector (L)	1
#20	976-075-0	Spring (4.3x10)	4	#43	560-456-1	Pad Brace Cover	1				
#21	976-149-0	o Spring (7x10)	1	#44	538-879-1	Pad Holder Flange	1				
#22	979-044-0	Inner Snap Ring (52)	1	#45	945-110-0	Allen Head Bolt (M5x10)	1				
#23	979-107-0	Outer Snap Ring (10)	1	#46	957-114-0	Cross Pan Head Screw	1				
#24	981-210-0	o Ball (3/8)	1								
#25	982-240-0	Ball Bearing (6200Z)	2								

When ordering spare parts, please specify tool type, code number and part name.

Printed in Japan

**URYU SEISAKU, LTD.** Osaka, Japan