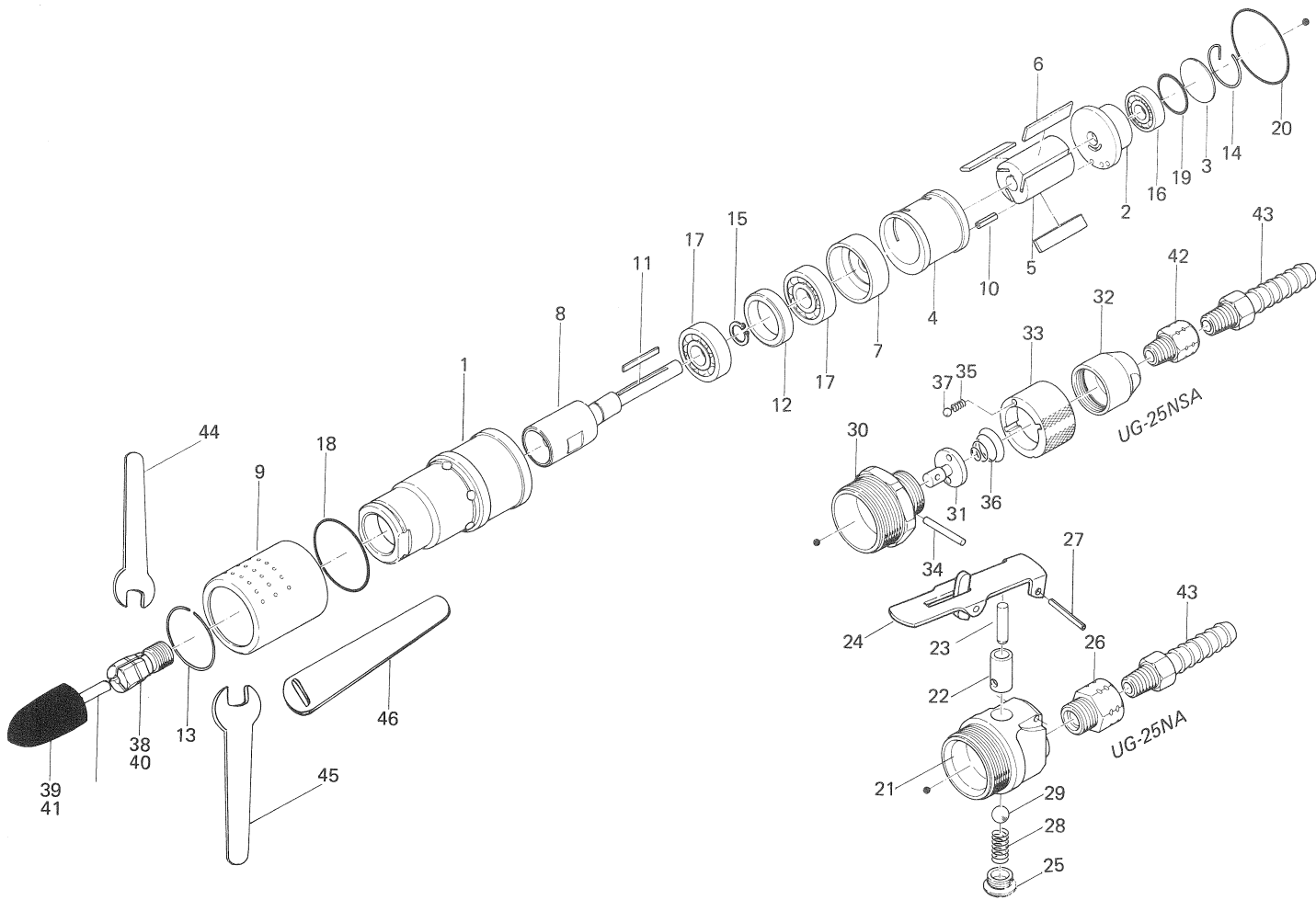


UG-25NA, 25NSA DIE GRINDERS

EXPLODED VIEW



PARTS LIST

Handle Body Assembly Components for UG-25NA are marked with "o".
Handle Body Assembly Components for UG-25NSA are marked with "x"

Index No.	Code No.	Parts Name	Quantity	Index No.	Code No.	Parts Name	Quantity	Index No.	Code No.	Parts Name	Quantity
UG-25NA, 25NSA Common Parts				PARTS FOR UG-25NA Handle Body Assembly Code 500-983-6				#33 506-015-2 x Valve Handle 1			
# 1	500-025-6	Casing	1	#21	500-014-1 o	Handle Body	1	#34	971-224-0 x	Pin (3x24)	1
# 2	500-285-2	Rear Plate	1	#22	500-102-2 o	Valve Bushing	1	#35	976-022-0 x	Spring (3x5.5)(0.4)	1
# 3	505-291-1	Rear Plate Spacer	1	#23	970-319-0 o	Pin(H) (4x19)	1	#36	977-080-0 x	Cone Spring (7x18x10)	1
# 4	500-286-1	Cylinder	1	#24	500-914-7 o	Self-Locking Valve Lever Assembly	1	#37	981-002-0 x	Ball (1/8)	1
# 5	500-287-1	Rotor	1	#25	201-108-1 o	Valve Plug	1	#42	942-114-0 x	Connecting Screw (1/4xNPT1/4)	1
# 6	500-288-1	Blade	3	#26	418-091-1 o	Air Inlet Bushing	1	STANDARD ACCESSORIES			
# 7	500-289-1	Front Plate	1	#27	973-124-0 o	Roll Pin (3x24)	1	#43	940-114-0	Air Hose Nipple (NPT1/4x3/8)	1
# 8	500-390-1	Wheel Spindle	1	#28	976-151-0 o	Spring (7x16)(0.7)	1	#44	936-514-0	Spanner (14)	1
# 9	500-782-6	Exhaust Deflector	1	#29	981-208-0 o	Ball (5/16) Black	1	#45	936-517-0	Spanner (17)	1
#10	973-110-0	Roll Pin (3x10)	1	PARTS FOR UG-25NSA Handle Body Assembly Code 501-003-2				#46	939-101-0	Spanner (5.5x17.5x120)	1
#11	974-700-0	Key (1.4x2.3x20)	1	#30	501-014-2 x	Handle Body	1	#38	923-003-0	Collet Chuck (6mm)	1
#12	975-189-0	Spacer (26x20x6)	1	#31	506-100-2 x	Valve	1	#40	923-006-0	Collet Chuck (1/4)	1
#13	978-321-0	Snap Ring (32x1.8)	1	OPTIONAL ACCESSORIES				#39	997-001-0	Mounted Wheel (22x40x6)	1
#14	978-219-0	Snap Ring (22x1.2)	1	#32	506-090-2 x	Air Inlet Bushing	1	#41	997-020-0	Mounted Wheel (22x40x1/4)	1
#15	979-107-0	Outer Snap Ring (10)	1								
#16	982-021-0	Ball Bearing (626)	1								
#17	982-100-0	Ball Bearing (6000)	2								
#18	990-919-0	O-Ring (SNS 22)	1								
#19	990-914-0	O-Ring (SNS 16)	1								
#20	990-925-0	O-Ring (SNS 32)	1								

When ordering spare parts, please Specify tool type, code number and parts name.

Printed in Japan



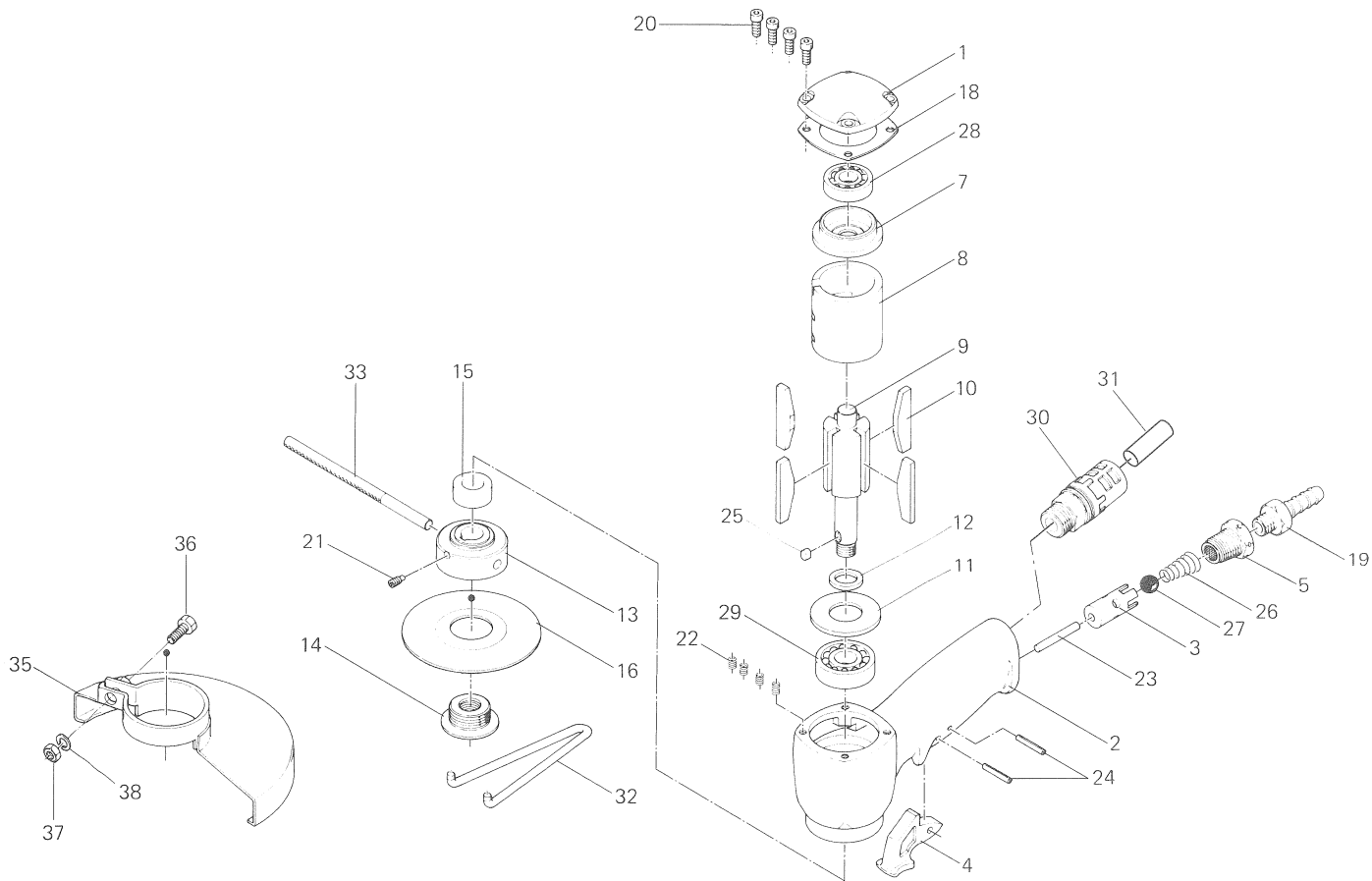
URYU SEISAKU, LTD. Osaka, Japan

For further information, please contact at any time your nearest URYU distributor.

OKA-117-08-04-01-3016

USG-45P, AIR SANDER

EXPLODED VIEW



PARTS LIST

Index No.	Code No.	Parts Name	Quantity	Index No.	Code No.	Parts Name	Quantity	Index No.	Code No.	Parts Name	Quantity
# 1	553-012-7	Casing Cover	1	#21	953-112-0	Allen Head Flat Point Screw (M4×12)	1	#33	939-002-0	Spanner(6×120)	1
# 2	553-025-7	Casing	1	#22	965-006-0	Heli-Sert (M4×1.5D)	4	OPTIONAL ACCESSORIES			
# 3	063-102-1	Valve Bushing	1	#23	970-331-0	Pin(H)(4×31)	1	#35	553-770-7	Paper Guard	1
# 4	026-107-7	Throttle Trigger	1	#24	973-120-0	Roll Pin(3×20)	2	#36	946-900-0	Hexagon Head Bolt(M5×18)	1
# 5	516-091-3	Air Inlet Bushing	1	#25	974-107-0	Key(4×7)	1	#37	960-037-0	Hexagon Nut(1-M5)	1
# 7	553-285-7	Rear Plate	1	#26	977-175-0	Cone Spring (7.5×10.3×22)	1	#38	962-008-0	Spring Washer(2-5S)	1
# 8	553-286-7	Cylinder	1	#27	981-210-0	Ball(3/8)	1	STANDARD ACCESSORIES			
# 9	553-287-7	Rotor(3/8-24 UNF)	1	#28	982-100-0	Ball Bearing (6000)	1				
#10	553-288-7	Blade	4	#29	982-241-0	Ball Bearing(6201Z)	1	#30	235-885-0	Silencer	1
#11	553-289-7	Front Plate	1					#31	553-744-7	Silencer Collar	1
#12	553-296-7	Front Plate Spacer	1								
#13	553-397-1	Paper Holder Flange	1								
#14	553-398-4	Paper Nut Flange	1	#16	553-415-1	Fiber Pad (73mm dia.)	1				
#15	553-807-7	Spacer	1	#17	553-416-1	Fiber Pad (115mm dia.)	1				
#18	553-853-7	Casing Cover Packing	1	#19	940-114-0	Air Hose Nipple(NPT1/4×3/8)	1				
#20	945-010-0	Allen Head Bolt(M4×10)	4	#32	938-049-0	Spanner (4×30×130)	1				

When ordering spare parts, please specify tool type, code numbers and parts names.

Printed in Japan



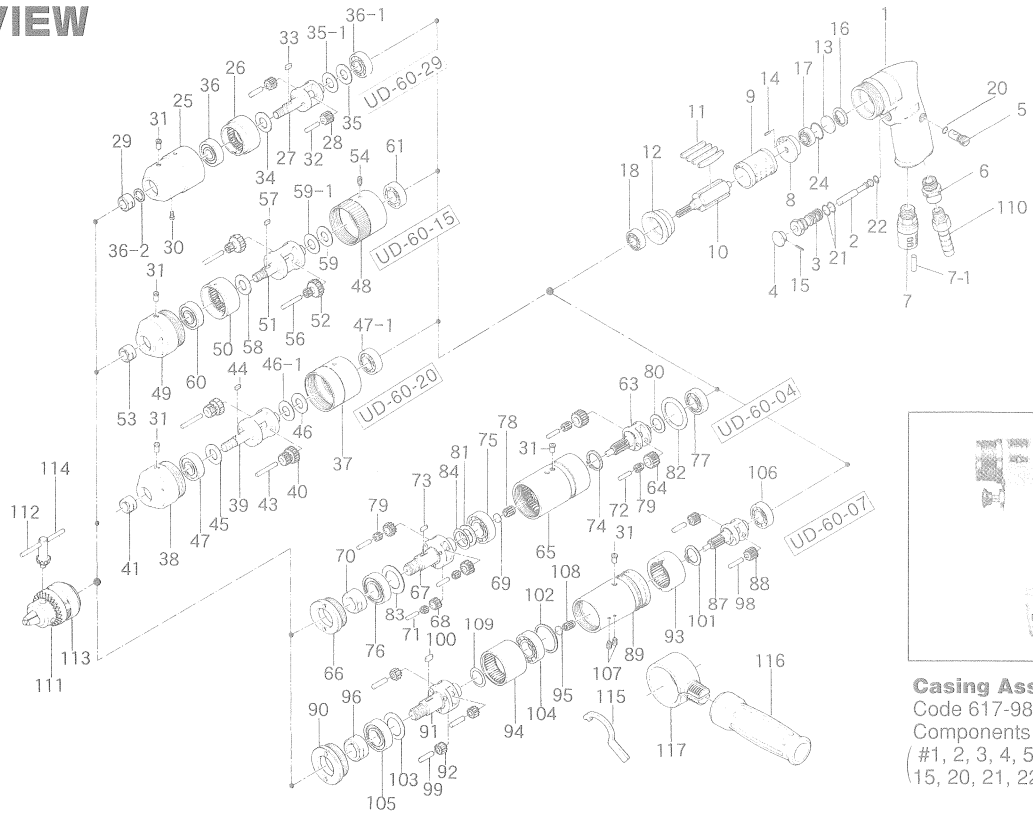
URYU SEISAKU, LTD. Osaka, Japan

For further information, please contact at any time your nearest URYU distributor.

OKA-274-08-03-17-1001

UD-60 SERIES (29,20,15,07,04) AIR DRILLS

EXPLODED VIEW



Silencer Assembly
Code No. 029-885-7
Components
(#7, #7-1)

Casing Assembly
Code 617-984-0
Components
(#1, 2, 3, 4, 5, 6, 7, 7-1,
15, 20, 21, 22)

PARTS LIST

Index No.	Code No.	Parts Name	Quantity	Index No.	Code No.	Parts Name	Quantity	Index No.	Code No.	Parts Name	Quantity
COMMON PARTS FOR UD-60 SERIES											
# 1	612-025-0	Casing	1	#39	612-319-4	Anvil	1	#78	988-004-0	Needle Roller Bearing(NK5/12)	1
# 2	603-100-2	Valve	1	#40	612-470-4	Planet Gear	2	#79	988-450-0	Needle Roller Bearing (HK-0408)	1
# 3	606-101-1	Valve Bushing	1	#41	603-411-1	Chuck Retainer	1	#80	975-136-0	Spacer(22×13.7×0.6)	1
# 4	603-107-2	Throttle Trigger	1	#43	968-130-0	Grease Cup(3/16)	1	#81	975-172-0	Spacer(24×18×1)	1
# 5	023-240-1	Regulator Valve	1	#44	974-005-0	Key(3×6)	2	#82	975-294-0	Spacer(38×29×2)	1
# 6	191-091-5	Air Inlet Bushing	1	#45	975-162-0	Spacer(24×12.5×0.4)	1	#83	975-250-0	Spacer(32.5×21.2×1)	1
# 7	235-885-0	Silencer	1	#46	975-138-0	Spacer(22×13.7×2)	1	#84	975-789-0	Adjusting Spacer(22×17×t)	1
# 7-1	027-744-7	Exhaust Stack	1	#46-1	975-757-0	Adjusting Spacer(18×13×t)	1	#31	968-130-0	Grease Cup(3/16)	1
# 8	600-285-2	Rear Plate	1	#47	982-140-0	Ball Bearing(6000Z)	1	#612-005-6 GEAR BOX ASSEMBLY FOR UD-60-07			
# 9	600-286-1	Cylinder	1	#47-1	982-403-0	Ball Bearing(EE-4)	1	#87	612-480-6	Gear Cage	1
#10	612-287-0	Rotor	1	#612-005-7 GEAR BOX ASSEMBLY FOR UD-60-15				#88	612-470-1	First Planet Gear	2
#11	600-288-2	Blade	4	#48	612-035-3	Casing Connector	1	#89	612-029-6	Gear Casing	1
#12	612-289-0	Front Plate	1	#49	612-029-7	Gear Casing	1	#90	612-070-1	Gear Casing Cover	1
#13	600-291-1	Rear Plate Spacer	1	#50	612-465-7	Internal Gear	1	#91	612-319-6	Anvil	1
#14	973-006-0	Roll Pin(2×6)	1	#51	612-319-7	Anvil	1	#92	612-471-1	Second Planet Gear	3
#15	973-010-0	Roll Pin(2×10)	1	#52	612-470-3	Planet Gear	2	#93	612-465-6	First Internal Gear	1
#16	978-231-0	Snap Ring(23×1.2)	1	#53	603-411-1	Chuck Retainer	1	#94	612-466-6	Second Internal Gear	1
#17	982-401-0	Ball Bearing(EE-2)	1	#54	952-205-0	Allen Head Dog Point Screw (M5×5)	1	#95	612-414-1	Front Cover	1
#18	982-402-0	Ball Bearing(EE-3)	1	#31	968-130-0	Grease Cup(3/16)	1	#96	609-411-1	Chuck Retainer	1
#20	990-003-0	O-Ring(P5)	1	#56	972-174-0	Needle Roller(5×32)	2	#31	968-130-0	Grease Cup(3/16)	1
#21	990-610-0	O-Ring(8×2)	2	#57	974-005-0	Key(3×6)	1	#98	972-119-0	Needle Roller(4×18)	2
#22	990-203-0	O-Ring(JW1516-3)	1	#58	975-162-0	Spacer(24×12.5×0.4)	1	#99	972-163-0	Needle Roller(5×18)	3
#24	990-914-0	O-Ring(SNS-16)	1	#59	975-138-0	Spacer(22×13.7×2)	1	#100	974-010-0	Key(3×10)	1
#612-005-8 GEAR BOX ASSEMBLY FOR UD-60-29				#59-1	975-757-0	Adjusting Spacer(18×13×t)	1	#101	978-202-0	Snap Ring(20×1)	1
#25	612-029-8	Gear Casing	1	#60	982-140-0	Ball Bearing(6000Z)	1	#102	975-269-0	Spacer(35×30×1)	1
#26	612-465-8	Internal Gear	1	#61	982-403-0	Ball Bearing(EE-4)	1	#103	975-250-0	Spacer(32.5×21.2×1)	1
#27	612-319-8	Anvil	1	#612-005-0 GEAR BOX ASSEMBLY FOR UD-60-04				#104	982-103-0	Ball Bearing(6003)	1
#28	612-470-5	Planet Gear	2	#63	612-480-0	Gear Cage	1	#105	982-143-0	Ball Bearing(6003Z)	1
#29	603-411-1	Chuck Retainer	1	#64	612-470-0	First Planet Gear	2	#106	982-403-0	Ball Bearing(EE-4)	1
#30	312-757-1	Internal Gear Set Screw	1	#65	612-029-9	Gear Casing	1	#107	952-204-0	Allen Head Dog Point Screw (M4×23)	2
#31	968-130-0	Grease Cup(3/16)	1	#66	612-070-1	Gear Casing Cover	1	#108	988-004-0	Needle Roller Bearing(NK5/12)	1
#32	972-164-0	Needle Roller(5×20)	2	#67	612-319-0	Anvil	1	#109	975-789-0	Adjusting Spacer(22×17×t)	1
#33	974-005-0	Key(3×6)	1	#68	612-471-0	Second Planet Gear	3	ACCESSORIES			
#34	975-162-0	Spacer(24×12.5×0.4)	1	#69	612-414-1	Front Cover	1	#110	940-114-0	Air Hose Nipple(NPTI/4×3/8)	1
#35	975-138-0	Spacer(22×13.7×2)	1	#70	609-411-1	Chuck Retainer	1	#111	923-070-0	Chuck(8MM)	1
#35-1	975-757-0	Adjusting Spacer(18×13×t)	1	#71	972-115-0	Needle Roller(4×16)	3	#112	927-050-0	Chuck Handle(5MM)	1
#36	982-140-0	Ball Bearing(6000Z)	1	#72	972-117-0	Needle Roller(4×17)	2	#113	923-071-0	Chuck(13MM)	1
#36-1	982-403-0	Ball Bearing(EE-4)	1	#73	974-010-0	Key(3×10)	1	#114	927-053-0	Chuck Handle(10MM)	1
#36-2	993-039-0	Felt Ring(25×17×3)	1	#74	978-202-0	Snap Ring(20×1)	1	#115	937-065-0	Spanner(4.8×22×153)	1
#612-005-4 GEAR BOX ASSEMBLY FOR UD-60-20				#75	982-103-0	Ball Bearing(6003)	1	#116	613-720-0	Dead Handle	1
#37	612-035-3	Casing Connector	1	#76	982-143-0	Ball Bearing(6003Z)	1	#117	612-730-0	Dead Handle Connector	1
#38	612-029-4	Gear Casing	1	#77	982-403-0	Ball Bearing(EE-4)	1				

When ordering spare parts, please specify tool type, code number and part name.

Printed in Japan



URYU SEISAKU, LTD. Osaka, Japan

OKA-443-08-03-17-1005