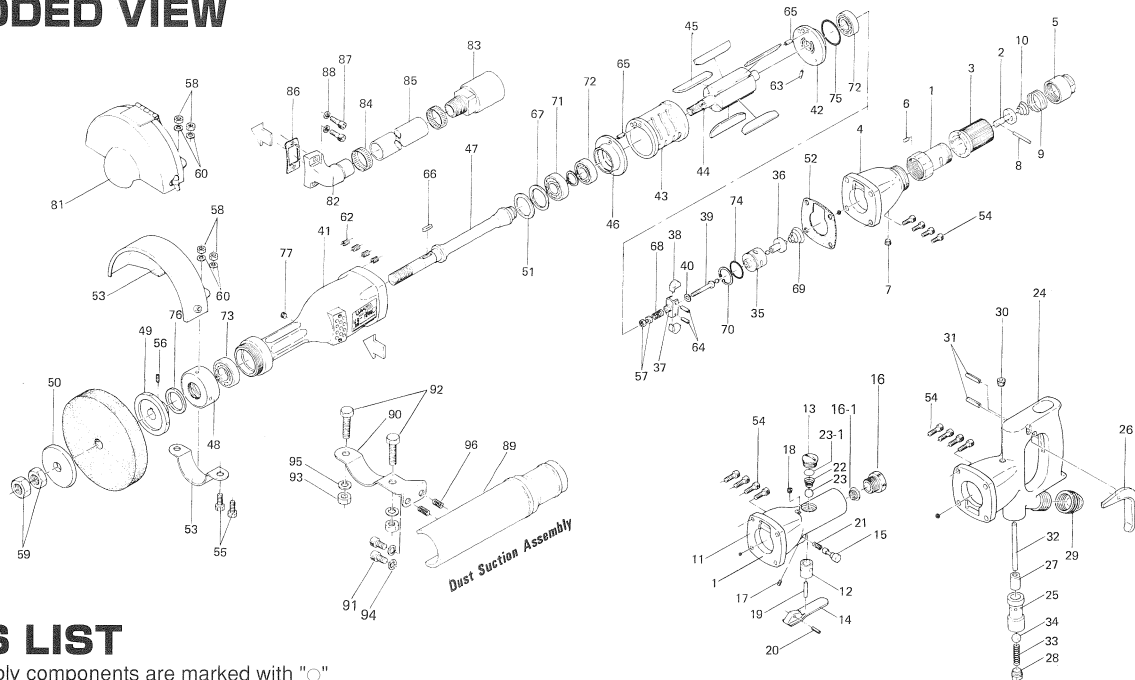


UG-1500 SERIES HEAVY DUTY GRINDER

EXPLODED VIEW



PARTS LIST

Casing Assembly components are marked with "○"

Index No.	Code No.	Parts Name	Quantity	Index No.	Code No.	Parts Name	Quantity	Index No.	Code No.	Parts Name	Quantity
543-003-0 Handle Body Assembly for UG-1500				Common Parts				977-165-0 ○ Cone Spring (7×22×12) (for 4,100 r.p.m.) 1			
# 1	542-014-0	Handle Body	1	#35	543-171-2	Governor Valve Bushing	1	#70	979-021-0	Inner Snap Ring (28)	1
# 2	566-100-1	Valve	1	#36	543-170-2	Governor Valve With Chip	1	#71	982-104-0	Ball Bearing (6004)	1
# 3	566-015-1	Valve Handle	1	#37	543-181-0	○ Governor Cage	1	#72	982-202-0	Ball Bearing (6202)	2
# 4	543-012-0	Handle Body Connector	1	#38	543-183-0	○ Governor Weight	2	#73	982-203-0	Ball Bearing (6203)	1
# 5	591-091-2	Air Inlet Bushing	1	#39	525-176-1	○ Governor Spindle (With Chip)	1	#74	990-920-0	O-Ring (SNS-25)	1
# 6	970-308-0	Pin (H) (4×8)	1	#40	543-179-0	○ Governor Spindle Spacer	1	#75	990-929-0	O-Ring (SNS-36)	1
# 7	966-100-0	Allen Head Plug (1/8)	1	#41	543-025-0	Casing	1	#76	993-014-0	Felt Ring (28×38×3)	1
# 8	971-273-0	Pin (3.8×34)	1	#42	543-285-0	Rear Plate	1	#77	966-100-0	Allen Head Plug (1/8)	1
# 9	976-720-0	Spring (33.8×15)	1	#43	535-286-1	Cylinder	1	Standard Accessories			
#10	977-165-0	Cone Spring (7×22×12)	1	#44	535-287-1	Rotor	1	#78	936-004-0	Spanner (26×5×195)	1
543-003-3 Handle Body Assembly for UG-1500L				#45	535-288-1	Blade	5	#79	937-052-0	Spanner (4.8×33×180)	1
#11	543-014-3	Handle Body	1	#46	543-289-0	Front Plate	1	#80	940-125-0	Air Hose Nipple (NPT 3/8×1/2)	1
#12	566-101-4	Valve Bushing	1	#47	543-390-2	Wheel Spindle	1	Optional Accessories			
#13	566-108-4	Valve Plug	1	#48	535-065-1	Casing Front Cover	1	#81	543-895-0	Wheel Guard Assembly (Hinge Type)	1
#14	566-107-5	Valve Lever	1	#49	535-393-1	Wheel Holder Flange	1	#82	543-784-0	Silencer Flange	1
#15	578-765-2	Safety Pin	1	#50	535-394-1	Wheel Nut Flange	1	#83	543-042-0	Silencer	1
#16	592-091-2	Air Inlet Bushing	1	#51	996-476-0	Packing (42×30×2)	1	#84	931-107-0	Wire Hose Band (32)	2
#16-1	578-835-1	Net	1	#52	543-852-0	Handle Body Packing	1	#85	935-220-0	Exhaust Hose (25×29×100)	1
#17	953-104-0	Allen Head Flat Point Screw (M4×4)	1	#53	535-770-1	Wheel Guard	1	#86	542-777-0	Packing	1
#18	966-100-0	Allen Head Plug (1/8)	1	#54	945-220-0	Allen Head Bolt (M6×20)	4	#87	945-118-0	Allen Head Bolt (M5×18)	2
#19	970-424-0	Pin (H) (5×23.5)	1	#55	946-910-0	Hexagon Head Bolt (M8×25)	2	#88	962-075-0	Spring Washer (5.8×8.5×1.5)	2
#20	973-174-0	Roll Pin (3.5×24)	1	#56	953-306-0	Allen Head Flat Point Screw (M6×6)	1	543-746-3 Dust Suction Assembly (Grinding)			
#21	976-114-0	Spring (6×18)	1	#57	960-020-0	Hexagon Nut (1-M3)	2	#89	543-542-3	Dust Receiver	1
#22	977-254-0	Cone Spring (10×15×16)	1	#58	960-049-0	Hexagon Nut (1-M8)	2	#90	543-079-3	Joint Arm	1
#23	981-214-0	Ball (1/2)	1	#59	960-407-0	Hexagon Nut (3-ASAB1.1 5/8-11)	2	#91	945-110-0	Allen Head Bolt (M5×10)	2
#23-1	990-914-0	O-Ring (SNS-16)	1	#60	962-011-0	Spring Washer (2-8S)	2	#92	946-436-0	Hexagon Head Bolt (M8×36)	2
543-001-6 Handle Body Assembly for UG-1500G				#62	965-021-0	Heli-Sert (M6×1.5D)	4	#93	960-048-0	Hexagon Nut (1-M8)	2
#24	543-010-6	Handle	1	#63	973-068-0	Roll Pin (2.5×8)	1	#94	962-008-0	Spring Washer (2-5S)	2
#25	540-102-1	Valve Bushing	1	#64	973-122-0	○ Roll Pin (3×22)	2	#95	962-011-0	Spring Washer (2-8S)	2
#26	540-107-1	Throttle Trigger	1	#65	973-212-0	Roll Pin (4×12)	2	#96	965-011-0	Heli-Sert (M5×1.5D)	2
#27	093-103-1	Valve Rod Bushing	1	#66	974-216-0	Key (5×16)	1				
#28	093-108-1	Valve Plug	1	#67	975-319-0	Spacer (42×30×1)	1				
#29	599-091-1	Air Inlet Bushing	1	#68	976-121-0	○ Spring (6×28) (for 6,000 r.p.m.)	1				
#30	966-100-0	Allen Head Plug (1/8)	1								
#31	973-228-0	Roll Pin (4×28)	2								
#32	970-585-0	Pin (H) (6×85)	1								
#33	976-213-0	Spring (9×40)	1								
#34	981-214-0	Ball (1/2)	1	#69	977-138-0	○ Cone Spring (6.6×25×23) (for 6,000 r.p.m.)	1				

When ordering spare parts, please specify tool type, code number and part name.

Printed in Japan



URYU SEISAKU, LTD. Osaka Japan

For further information, please contact at any time your nearest URYU distributor.

OKA-100-03-07-08-2006