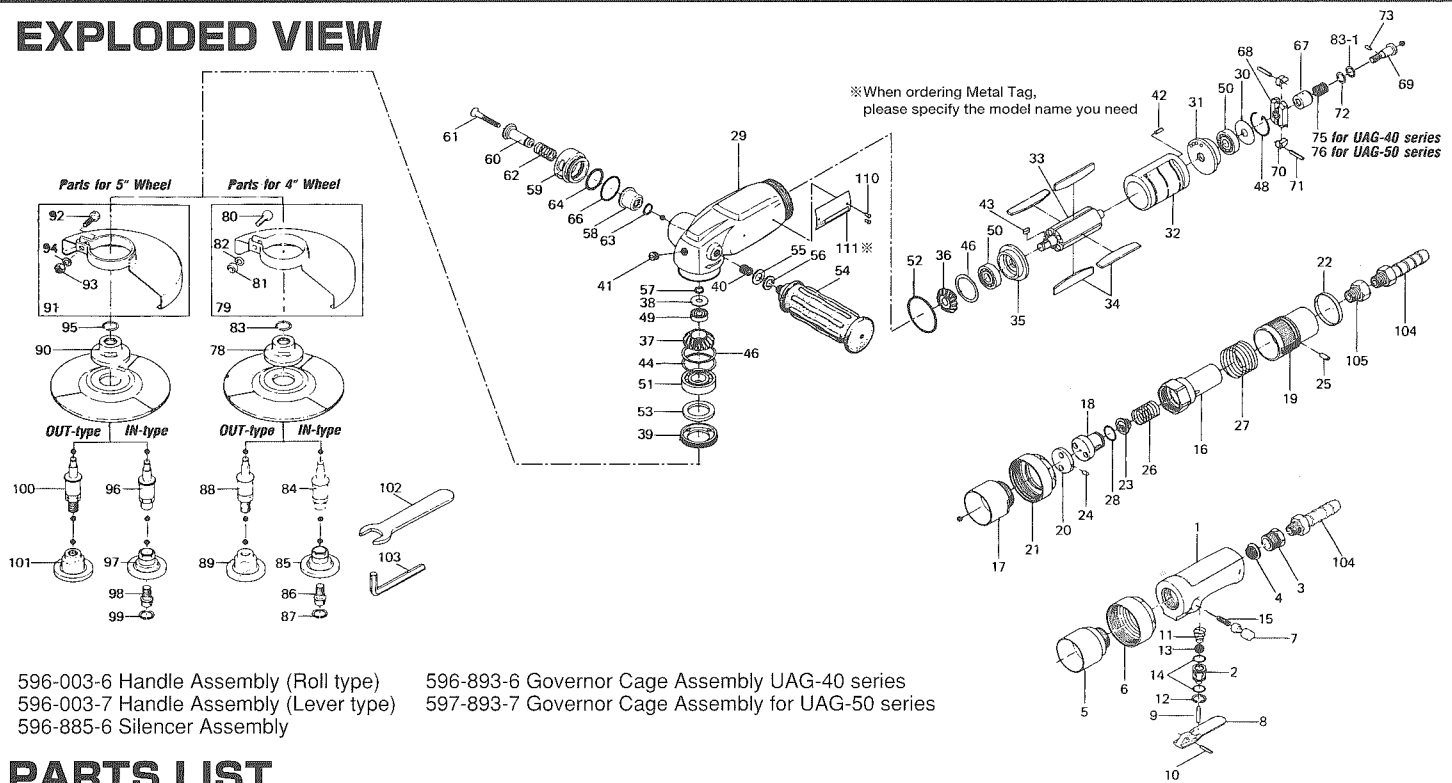


UAG-40 and 50 SERIES AIR GRINDERS

EXPLODED VIEW



596-003-6 Handle Assembly (Roll type)
596-003-7 Handle Assembly (Lever type)
596-885-6 Silencer Assembly

596-893-6 Governor Cage Assembly UAG-40 series
597-893-7 Governor Cage Assembly for UAG-50 series

PARTS LIST

Index No.	Code No.	Parts Name	Quantity	Index No.	Code No.	Parts Name	Quantity	Index No.	Code No.	Parts Name	Quantity
596-003-7 Handle Assembly (Lever Type)				#37	596-430-6	Driven Gear	1	#76	976-281-0	Spring (11.5×12)	1
# 1	596-014-7	Handle (Lever Type)	1	#38	596-013-6	Casing Rear Cover	1	Parts For 4" Wheel			
# 2	591-101-7	Valve Bushing	1	#39	596-065-6	Casing Front Cover	1	in Common			
# 3	554-091-7	Air Inlet Bushing	1	#40	965-058-0	Heli-Sert (M12×1D)	1	#78	596-393-3	Wheel Holder Flange (5/8)	1
# 4	554-835-7	Filter	1	#41	966-100-0	Allen Head Plug (1/8)	1	#79	596-770-6	Wheel Guard	1
# 5	596-729-7	Valve Body Connector	1	#42	973-110-0	Roll Pin (3×10)	1	#80	946-900-0	Hexagon Head Bolt (M5×18)	1
# 6	596-736-8	Valve Body Nut	1	#43	974-008-0	Key (3×8)	1	#81	960-037-0	Hexagon Nut (1-M5)	1
# 7	585-765-1	Locking Button	1	#44	975-268-0	Spacer (35×31×0.5)	1	#82	962-008-0	Spring Washer (2-5S)	1
# 8	593-107-3	Valve Lever	1	#46	975-835-0	Adjusting Washer (35×31×1)	2	#83	978-159-0	Snap Ring (16×1)	1
# 9	970-322-0	Pin (H)(4×22)	1	#48	978-305-0	Snap Ring (30×1)	1	#83-1	975-056-0	Spacer (11.4×8.1×1.5)	1
# 10	973-170-0	Roll Pin (3.5×20)	1	#49	982-013-0	Ball Bearing (606)	1	in Type			
#11	977-260-0	Cone Spring (10×16×16)	1	#50	982-054-0	Ball Bearing (629Z)	2	#84	596-390-6	Wheel Spindle	1
#12	979-011-0	Inner Snap Ring (18)	1	#51	982-242-0	Ball Bearing (6202Z)	1	#85	596-394-7	Wheel Nut Flange (5/8")	1
#13	981-214-0	Ball (1/2)	1	#52	990-930-0	O-Ring (SNS-40)	1	#86	945-990-0	Hexagon Head Bolt (M8×18)	1
#14	990-913-0	O-Ring (SNS-15)	2	#53	993-913-0	Felt Ring (22×32×4)	1	#87	979-314-0	Inner Snap Ring (IRTW-14)	1
#15	976-114-0	Spring (6×18)	1	#54	566-720-2	Dead Handle	1	Out Type			
596-003-6 Handle Assembly (Roll Type)				#55	975-127-0	Spacer (20×13×1)	1	#88	596-390-3	Wheel Spindle	1
#16	596-014-6	Valve Body	1	#56	962-013-0	Spring Washer (2-12S)	1	#89	596-394-3	Wheel Nut Flange (5/8")	1
#17	596-729-6	Valve Body Connector	1	#57	979-103-0	Outer Snap Ring (6)	1	Parts For 5" Wheel			
#18	596-100-6	Valve	1	#110	930-205-0	Driver Rivet	2	in Common			
#19	596-015-6	Valve Handle	1	#111	596-924-3	Metal Tag for UAG-40SBL-136	1	#90	597-393-7	Wheel Holder Flange	1
#20	596-102-6	Valve Bushing	1	596-885-6 Silencer Assembly				#91	597-770-7	Wheel Guard	1
#21	596-736-7	Valve Body Nut	1	#58	596-782-6	Exhaust Deflector	1	#92	946-900-0	Hexagon Head Bolt (M5×18)	1
#22	596-670-6	Band	1	#59	596-780-7	Exhaust Stack	1	#93	960-037-0	Hexagon Nut (1-M5)	1
#23	554-835-7	Filter	1	#60	596-787-7	Exhaust Retainer	1	#94	962-008-0	Spring Washer (2-5S)	1
#24	970-204-0	Pin (H) (3×6)	1	#61	948-535-0	Allen Head Screw (M5×35)	1	#95	978-159-0	Snap Ring (16×1)	1
#25	972-111-0	Roller Pin (4×11)	1	#62	976-307-0	Spring (12.1×8)	1	in Type			
#26	976-440-0	Spring (18×25)	1	#63	979-107-0	Outer Snap Ring (10)	1	#96	596-390-6	Wheel Spindle	1
#27	976-724-0	Spring (34×20)	1	#64	990-020-0	O-Ring (P-22)	1	#97	597-394-9	Wheel Nut Flange (7/8")	1
#28	990-912-0	O-Ring (SNS-14)	1	#66	990-920-0	O-Ring (SNS-25)	1	#98	945-990-0	Hexagon Head Bolt (M8×18)	1
Common Parts				Governor Parts				Out Type			
#29	596-025-8	Casing	1	#67	596-170-7	Governor Valve	1	#100	596-390-3	Wheel Spindle	1
#30	596-291-6	Rear Plate Spacer	1	#68	596-181-6	Governor Cage	1	#101	597-394-3	Wheel Nut Flange	1
#31	596-285-6	Rear Plate	1	#69	596-176-7	Governor Spindle	1	ACCESSORIES			
#32	596-286-6	Cylinder	1	#70	596-183-6	Governor Weight	2	#102	936-000-0	Spanner (19×4×120)	1
#33	596-287-6	Rotor	1	#71	973-118-0	Roll Pin (3×18)	2	#103	939-007-0	Allen Wrench (6mm)	1
#34	596-288-6	Blade	4	#72	975-729-0	Adj. Spacer(11.4×8.1×1)	1	#104	940-114-0	Air Hose Nipple (NPT1/4×3/8)	1
#35	596-289-7	Front Plate	1	#73	970-130-0	Pin (H) (2.45×4.5)	1	#105	942-114-0	Connecting Screw (1/4×NPT1/4)	1
#36	596-420-6	Driving Gear	1	For UAG-40 Series(13,600r.p.m)							
				#75	976-282-0	Spring (11.5×11)	1	For UAG-50 Series(10,900r.p.m)			

When ordering spare parts, please specify tool type, code number and part name.

Printed in Japan



URYU SEISAKU, LTD. Osaka, Japan

For further information, please contact at any time your nearest URYU distributor.

OKA-439-12-11-26-2012