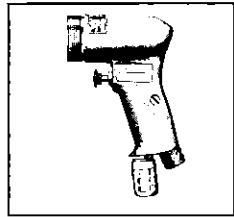
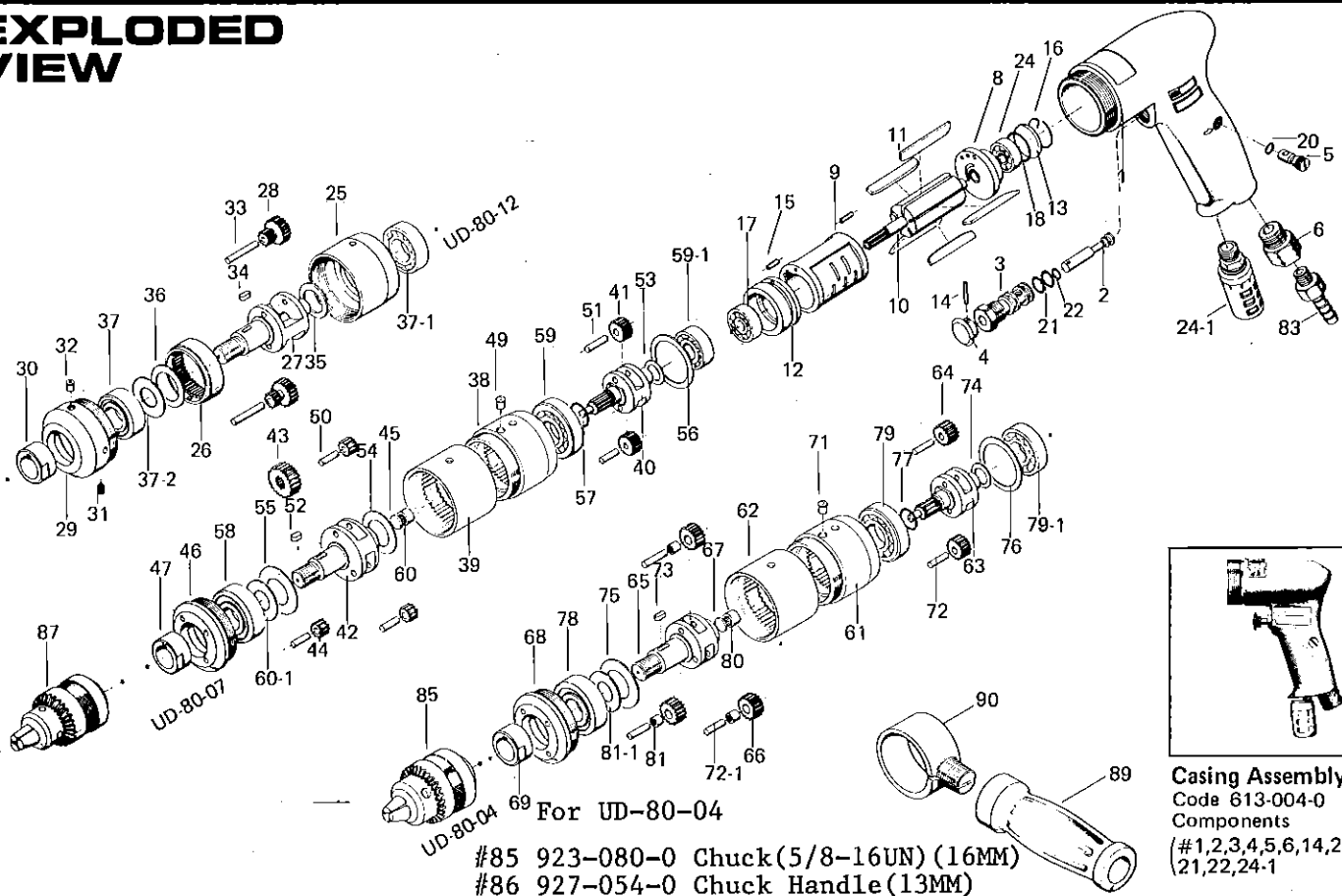


UD-80 SERIES AIR DRILLS

EXPLODED VIEW



Casing Assembly
Code 613-004-0
Components
(#1,2,3,4,5,6,14,20,
21,22,24-1)

#85 923-080-0 Chuck (5/8-16UN) (16MM)
#86 927-054-0 Chuck Handle (13MM)

PARTS LIST

Casing assembly components are marked with "o".

| Index No. | Code No. | Parts Name | Quantity | Index No. | Code No. | Parts Name | Quantity | Index No. | Code No. | Parts Name | Quantity |
|---|-----------|-----------------------------------|----------|---|-----------|--------------------------------|----------|------------------------------|----------------------|--------------------------------|----------|
| UD-80 SERIES, COMMON PARTS | | | | #37-1 | 982-101-0 | Ball Bearing (6001) | 1 | #66 | 613-471-0 | Second Planet Gear | 3 |
| # 1 | 613-025-0 | o Casing | 1 | #37-2 | 975-757-0 | Adjusting Spacer (18x13xt) | 1 | #67 | 612-414-1 | Front Cover | 1 |
| # 2 | 603-100-2 | o Valve | 1 | 613-005-4 UD-80-07 GEAR BOX ASSEMBLY | | | | #68 | 613-070-0 | Gear Casing Cover | 1 |
| # 3 | 606-101-1 | o Valve Bushing | 1 | #38 | 613-030-0 | First Gear Casing | 1 | #69 | 609-411-1 | Chuck Retainer | 1 |
| # 4 | 603-107-2 | o Throttle Trigger | 1 | #39 | 613-031-0 | Second Gear Casing | 1 | #71 | 968-130-0 | Grease Cup (3/16) | 1 |
| # 5 | 023-240-1 | o Regulator Valve | 1 | #40 | 613-480-0 | First Gear Cage | 1 | #72 | 972-165-0 | Roller Pin (5x19) | 2 |
| # 6 | 191-091-5 | o Air Inlet Bushing | 1 | #41 | 613-470-0 | First Planet Gear | 2 | #72-1 | 972-163-0 | Roller Pin (5x18) | 3 |
| # 8 | 609-285-2 | Rear Plate | 1 | #42 | 613-319-4 | Anvil | 1 | #73 | 974-010-0 | Key (3x10) | 1 |
| # 9 | 312-286-1 | Cylinder | 1 | #43 | 613-462-4 | Second Gear Cage Gear | 1 | #74 | 975-095-0 | Spacer (18x13x1) | 1 |
| #10 | 312-287-1 | Rotor | 1 | #44 | 613-471-4 | Second Planet Gear | 3 | #75 | 975-292-0 | Spacer (37x21x1) | 1 |
| #11 | 312-288-1 | Blade | 5 | #45 | 612-414-1 | Front Cover | 1 | #76 | 975-310-0 | Spacer (41x33x2) | 1 |
| #12 | 609-289-1 | Front Plate | 1 | #46 | 613-070-0 | Gear Casing Cover | 1 | #77 | 978-202-0 | Snap Ring (20x1) | 1 |
| #13 | 609-291-1 | Rear Plate Spacer | 1 | #47 | 609-411-1 | Chuck Retainer | 1 | #78 | 982-243-0 | Ball Bearing (6203Z) | 1 |
| #14 | 973-010-0 | o Roll Pin (2x10) | 1 | #49 | 968-130-0 | Grease Cup (3/16) | 1 | #79 | 982-405-0 | Ball Bearing (EE-6) | 1 |
| #15 | 973-108-0 | Roll Pin (3x8) | 2 | #50 | 972-163-0 | Roller Pin (5x18) | 3 | #79-1 | 982-101-0 | Ball Bearing (6001) | 1 |
| #16 | 978-269-0 | Snap Ring (27x1.2) | 1 | #51 | 972-165-0 | Roller Pin (5x19) | 2 | #80 | 988-004-0 | Needle Roller Bearing (NK5/12) | 1 |
| #17 | 982-015-0 | Ball Bearing (608) | 1 | #52 | 974-010-0 | Key (3x10) | 1 | #81 | 988-504-0 | Needle Roller Bearing (K5/8) | 3 |
| #18 | 982-022-0 | Ball Bearing (627) | 1 | #53 | 975-095-0 | Spacer (18x13x1) | 1 | #81-1 | 975-796-0 | Adjusting Spacer (28x20xt) | 1 |
| #20 | 990-003-0 | o O-Ring (P5) | 1 | #54 | 975-247-0 | Spacer (32x20.5x1) | 1 | Standard Accessories | | | |
| #21 | 990-610-0 | o O-Ring (8x2) | 2 | #55 | 975-292-0 | Spacer (37x21x1) | 1 | #83 | 940-114-0 | Air Hose Nipple (NPT 1/4x3/8) | 1 |
| #22 | 990-203-0 | o O-Ring (JW1516-3) | 1 | #56 | 975-310-0 | Spacer (41x33x2) | 1 | #84 | 937-054-0 | Spanner (4.6x26x180) | 1 |
| #24 | 990-919-0 | o O-Ring (SNS-22) | 1 | #57 | 978-202-0 | Snap Ring (20x1) | 1 | For UD-80-04 | | | |
| #24-1 | 018-885-7 | o Silencer | 1 | #58 | 982-243-0 | Ball Bearing (6203Z) | 1 | #85 | 923-071-0 | Chuck (16MM) | 1 |
| 613-005-7 UD-80-12 GEAR BOX ASSEMBLY | | | | #59 | 982-405-0 | Ball Bearing (EE-6) | 1 | #86 | 927-054-0 | Chuck Handle (16MM) | 1 |
| #25 | 613-029-7 | Gear Casing | 1 | #59-1 | 982-101-0 | Ball Bearing (6001) | 1 | For UD-80-07 & 12 | | | |
| #26 | 613-465-7 | Internal Gear | 1 | #60 | 988-004-0 | Needle Roller Bearing (NK5/12) | 1 | #87 | 923-071-0 | Chuck (13MM) | 1 |
| #27 | 613-319-7 | Anvil | 1 | #60-1 | 975-796-0 | Adjusting Spacer (28x20xt) | 1 | #88 | 927-053-0 | Chuck Handle (10MM) | 1 |
| #28 | 613-470-7 | Planet Gear | 2 | 613-005-0 UD-80-04 GEAR BOX ASSEMBLY | | | | Optional Accessories | | | |
| #29 | 613-070-7 | Gear Casing Cover | 1 | #61 | 613-030-0 | First Gear Casing | 1 | 613-896-0 | Dead Handle Assembly | 1 | |
| #30 | 609-411-1 | Chuck Retainer | 1 | #62 | 613-031-0 | Second Gear Casing | 1 | #89 | 613-720-0 | Dead Handle | 1 |
| #31 | 952-205-0 | Allen Head Dog Point Screw (M5x5) | 1 | #63 | 613-480-0 | First Gear Cage | 1 | #90 | 613-730-0 | Dead Handle Connector | 1 |
| #32 | 968-130-0 | Grease Cup (3/16) | 1 | #64 | 613-470-0 | First Planet Gear | 2 | | | | |
| #33 | 972-172-0 | Roller Pin (5x28) | 2 | #65 | 613-319-1 | Anvil | 1 | | | | |
| #34 | 974-005-0 | Key (3x6) | 1 | | | | | | | | |
| #35 | 975-208-0 | Spacer (27x18.5x2) | 1 | | | | | | | | |
| #36 | 975-250-0 | Spacer (32.5x21.2x1) | 1 | | | | | | | | |
| #37 | 982-143-0 | Ball Bearing (6003Z) | 1 | | | | | | | | |

When ordering spare parts, please specify tool type, code number and parts name.

URYU SEISAKU, LTD. Osaka, Japan

Printed in Japan

OKA-076-99-11-01-2008