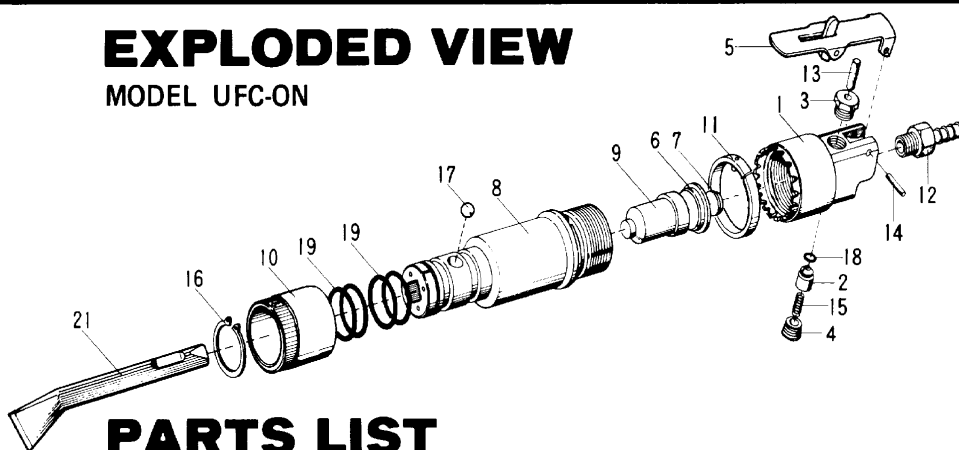


UFC-SERIES FLUX CHIPPERS

EXPLODED VIEW

MODEL UFC-ON

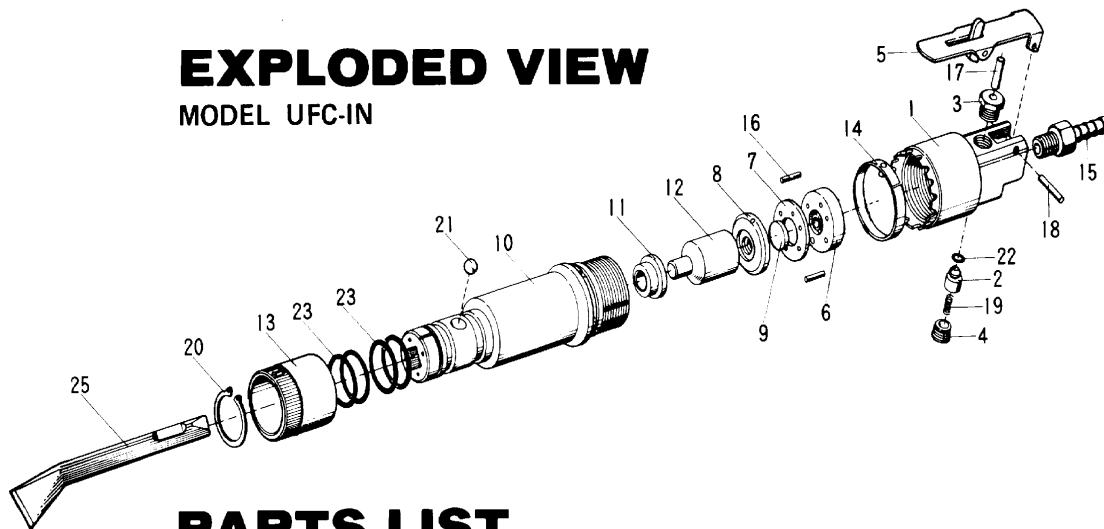


PARTS LIST

Index Number	Code Number	Part Name	Quantity	Index Number	Code Number	Part Name	Quantity
# 1	881-130-1	Handle	1	# 15	976-123-0	Spring (6.3x21)	1
# 2	754-100-1	Valve	1	# 16	979-127-0	Outer Snap Ring (30)	1
# 3	754-103-1	Valve Rod Bushing	1	# 17	981-012-0	Steel Ball (7/16)	1
# 4	754-108-1	Valve Plug	1	# 18	990-205-0	O-Ring (JW1516-5)	1
# 5	754-914-2	Self-Locking Lever Assembly	1	# 19	990-219-0	O-Ring (JW1516-19)	4
# 6	754-284-1	Cylinder Plate	1	# 20	980-001-0	Flat Head Notch (2, 4)	1
# 7	754-682-1	Cushion Rubber	1	Standard Accessories			
# 8	754-286-1	Cylinder	1	= 12	940-116-0	Air Hose Nipple (NPT1/4x3/8)	1
# 9	754-546-1	Piston	1	#* 21	921-201-0	Chipping Chisel	1
# 10	757-679-1	Chisel Retainer	1				
# 11	754-562-1	Lock Band	1				
# 13	970-424-0	Pin (H) (5x23.5)	1				
# 14	973-120-0	Roll Pin (3x20)	1				

EXPLODED VIEW

MODEL UFC-IN



PARTS LIST

Index Number	Code Number	Part Name	Quantity	Index Number	Code Number	Part Name	Quantity
# 1	881-131-1	Handle	1	# 16	970-208-0	Pin (H) (3x10)	2
# 2	754-100-1	Valve	1	# 17	970-427-0	Pin (H) (5x25)	1
# 3	754-103-1	Valve Rod Bushing	1	# 18	973-120-0	Roll Pin (3x20)	1
# 4	754-108-1	Valve Plug	1	# 19	976-123-0	Spring (6.3x21)	1
# 5	754-914-2	Self-Locking Lever Assembly	1	# 20	979-127-0	Outer Snap Ring (30)	1
# 6	749-198-1	Rear Valve Seat	1	# 21	981-012-0	Steel Ball (7/16)	1
# 7	749-199-1	Medium Valve Seat	1	# 22	990-205-0	O-Ring (JW1516-5)	1
# 8	757-200-1	Front Valve Seat	1	# 23	990-219-0	O-Ring (JW-1516-19)	4
# 9	749-195-1	Main Valve	1	# 24	980-001-0	Flat Head Notch (2, 4)	1
# 10	757-286-1	Cylinder	1	Standard Accessories			
# 11	757-674-1	Cylinder Bushing	1	= 15	940-116-0	Air Hose Nipple (NPT1/4x3/8)	1
# 12	757-546-1	Piston	1	= 25	921-201-0	Chipping Chisel	1
# 13	757-679-1	Chisel Retainer	1				
# 14	754-562-1	Lock Band	1				

Distributed by:

Printed in Japan

URYU SEISAKU, LTD.

Claims must be filed only with distributors within ten(10)days from delivery.